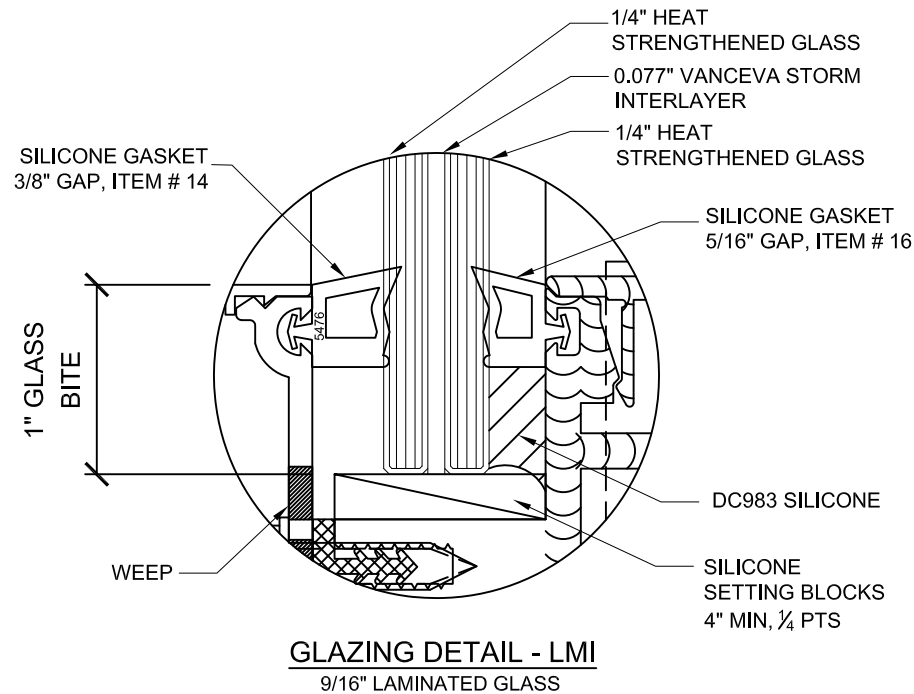


CONTINENTAL GLASS SYSTEMS

SERIES 200 CURTAIN WALL (LMI)

DESIGN PRESSURE RATINGS			
NOMINAL BAY WIDTH	MAX. VERTICAL MULL SPAN	REINFORCING REQUIREMENTS	MAX. DESIGN PRESSURE
36"	177.75"	NO REINFORCING REQUIRED	+/- 100 PSF
48"	219.75"	STEEL REINFORCING REQUIRED IN VERTICAL MULLIONS	+/- 95 PSF
60"	165.75"	NO REINFORCING REQUIRED	+/- 95 PSF

NOTES:
 1-NOMINAL BAY WIDTH = DLO + 3"
 2-SEE DETAILS FOR REQUIRED STEEL REINFORCING AT JAMBS, INTERMEDIATE MULLS, AND DOOR JAMB MULLS
 3-STEEL REINFORCING NOT REQUIRED IN MULLIONS ABOVE DOORS



GLAZING DETAIL - LMI
 9/16" LAMINATED GLASS

TYPICAL ANCHORS: (SEE ELEVATIONS AND DETAILS FOR INSTALLATION REQUIREMENTS)

TYPE 'A' -- CONCRETE ANCHORS AT JAMBS
 5/8" DIA. KWIK BOLT III BY 'HILTI' (Fu=88 KSI, Fy=75 KSI)
 DIRECTLY INTO CONCRETE (MINIMUM COMPRESSIVE STRENGTH OF 4000 PSI),
 3-1/2" MIN. EMBED IN CONCRETE
 4" MIN. CENTER TO CENTER SPACING
 5-1/2" MIN. EDGE DISTANCE IN CONCRETE
CONCRETE ANCHORS AT INTERMEDIATE VERTICALS
 1/2" DIA. KWIK BOLT III BY 'HILTI' (Fu=88 KSI, Fy=75 KSI)
 DIRECTLY INTO CONCRETE (MINIMUM COMPRESSIVE STRENGTH OF 4000 PSI),
 3-1/2" MIN. EMBED IN CONCRETE
 4" MIN. CENTER TO CENTER SPACING
 5-1/2" MIN. EDGE DISTANCE IN CONCRETE

TYPE 'B' -- 3/8" DIA. GRADE 5 TAP-TITE SCREWS BY REMINC (Fu=120 KSI, Fy=92 KSI)
 INTO MIN. ASTM A36 STEEL (1/4" THK. MIN.)
 MIN. ENGAGEMENT LENGTH (Le) = 1/4" IN STEEL
 (STEEL IN CONTACT WITH ALUMINUM TO BE PLATED OR PAINTED)
 1" MIN. EDGE DISTANCE IN STEEL

ANCHOR REQUIREMENTS

1. THE NUMBER OF INSTALLATION ANCHORS DEPICTED HEREIN IS THE MINIMUM NUMBER OF ANCHORS TO BE USED FOR PRODUCT INSTALLATION.
2. INSTALL INDIVIDUAL INSTALLATION ANCHORS WITHIN A TOLERANCE OF ±1/2 INCH OF THE DEPICTED LOCATION IN THE ANCHOR LAYOUT DETAIL. TOLERANCES ARE NOT CUMULATIVE FROM ONE INSTALLATION ANCHOR TO THE NEXT.
3. SHIM AS REQUIRED AT EACH INSTALLATION ANCHOR/ANCHR PLATE WITH LOAD BEARING SHIM(S). MAXIMUM ALLOWABLE SHIM STACK TO BE 1/8 INCH. SHIM WHERE SPACE OF 1/16 INCH OR GREATER OCCURS. SHIM(S) SHALL BE CONSTRUCTED OF HIGH DENSITY PLASTIC OR BETTER.
4. DEADLOAD SHIMS MAY BE USED BETWEEN ANCHOR PLATE AND FRAME. MAXIMUM ALLOWABLE DEADLOAD SHIM STACK TO BE 5/8" INCH.
5. ANCHORS SHALL BE AS LISTED, AND SPACED AS SHOWN ON DETAILS. ANCHOR EMBEDMENT TO BASE MATERIAL SHALL BE BEYOND WALL DRESSING OR STUCCO. INSTALLATION ANCHORS SHALL BE INSTALLED IN ACCORDANCE WITH ANCHOR MANUFACTURER'S INSTALLATION INSTRUCTIONS

NOTE:
 GLASS COMPLIES WITH ASTM E1300-09 (3 SEC. GUSTS).

- LIMITATIONS OF USE**
- A- THIS PRODUCT EVALUATION DOCUMENT (P.E.D.) PREPARED BY THIS ENGINEER IS GENERIC AND DOES NOT PROVIDE INFORMATION FOR A SITE SPECIFIC PROJECT; i.e. WHERE THE SITE CONDITIONS DEVIATE FROM THE P.E.D.
 - B- CONTRACTOR TO BE RESPONSIBLE FOR THE SELECTION, PURCHASE AND INSTALLATION OF THIS PRODUCT BASED ON THIS PRODUCT EVALUATION PROVIDED HE/SHE DOES NOT DEVIATE FROM THE CONDITIONS DETAILED ON THIS DOCUMENT.
 - C- THIS PRODUCT EVALUATION DOCUMENT WILL BE CONSIDERED INVALID IF ALTERED BY ANY MEANS.
 - D- SITE SPECIFIC PROJECTS SHALL BE PREPARED BY A FLORIDA REGISTERED ENGINEER OR ARCHITECT WHICH WILL BECOME THE ENGINEER OF RECORD (E.O.R.) FOR THE PROJECT AND WHO WILL BE RESPONSIBLE FOR THE PROPER USE OF THE P.E.D.
 - E- THIS P.E.D. SHALL BEAR THE DATE AND ORIGINAL SEAL AND SIGNATURE OF THE PROFESSIONAL ENGINEER OF RECORD THAT PREPARED IT.

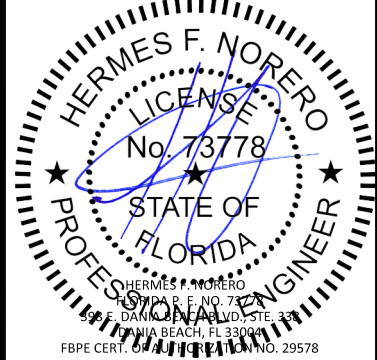
PREPARED BY:

BUILDING DROPS, INC.
 398 E. DANIA BEACH BLVD., STE. 338
 DANIA BEACH, FL 33004
 PH: (954)399-8478
 FAX: (954)744.4738
 WEB: www.buildingdrops.com

TITLE: **SERIES CW200 CURTAINWALL (LMI)**
 GENERAL NOTES AND GLAZING DETAIL
 325 WEST 74 PLACE,
 HIALEAH, FL 33014
 PH: (305)231-1101
 FAX: (305)231-1103


REMARKS	BY	DATE

THIS DOCUMENT IS THE PROPERTY OF BUILDING DROPS, INC. AND SHALL NOT BE REPRODUCED IN WHOLE OR PART WITHOUT WRITTEN CONSENT OF BUILDING DROPS, INC. ALTERATIONS, ADDITIONS, HIGHLIGHTING, OR OTHER MARKINGS TO THIS DOCUMENT ARE NOT PERMITTED AND INVALIDATE OUR CERTIFICATION.



DATE: **03.07.16**
 DWG. BY: **SM** CHK. BY: **HFN**
 SCALE: **NTS**
 DWG. #: **CGS122**
 SHEET: OF 21

PREPARED BY:



BUILDING DROPS, INC.

398 E. DANIA BEACH BLVD., STE. 338
DANIA BEACH, FL 33004
PH: (954)399-8478
FAX: (954)744.4738
WEB: www.buildingdrops.com

TITLE: SERIES CW200 CURTAINWALL (LMI)

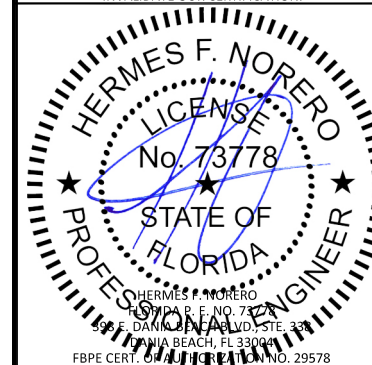
TYPICAL ELEVATION

325 WEST 74 PLACE,
HIALEAH, FL 33014
PH: (305)231-1101
FAX: (305)231-1103



REMARKS	BY	DATE

THIS DOCUMENT IS THE PROPERTY OF BUILDING DROPS, INC. AND SHALL NOT BE REPRODUCED IN WHOLE OR PART WITHOUT WRITTEN CONSENT OF BUILDING DROPS, INC. ALTERATIONS, ADDITIONS, HIGHLIGHTING, OR OTHER MARKINGS TO THIS DOCUMENT ARE NOT PERMITTED AND INVALIDATE OUR CERTIFICATION.



DATE: 03.07.16

DWG. BY: SM

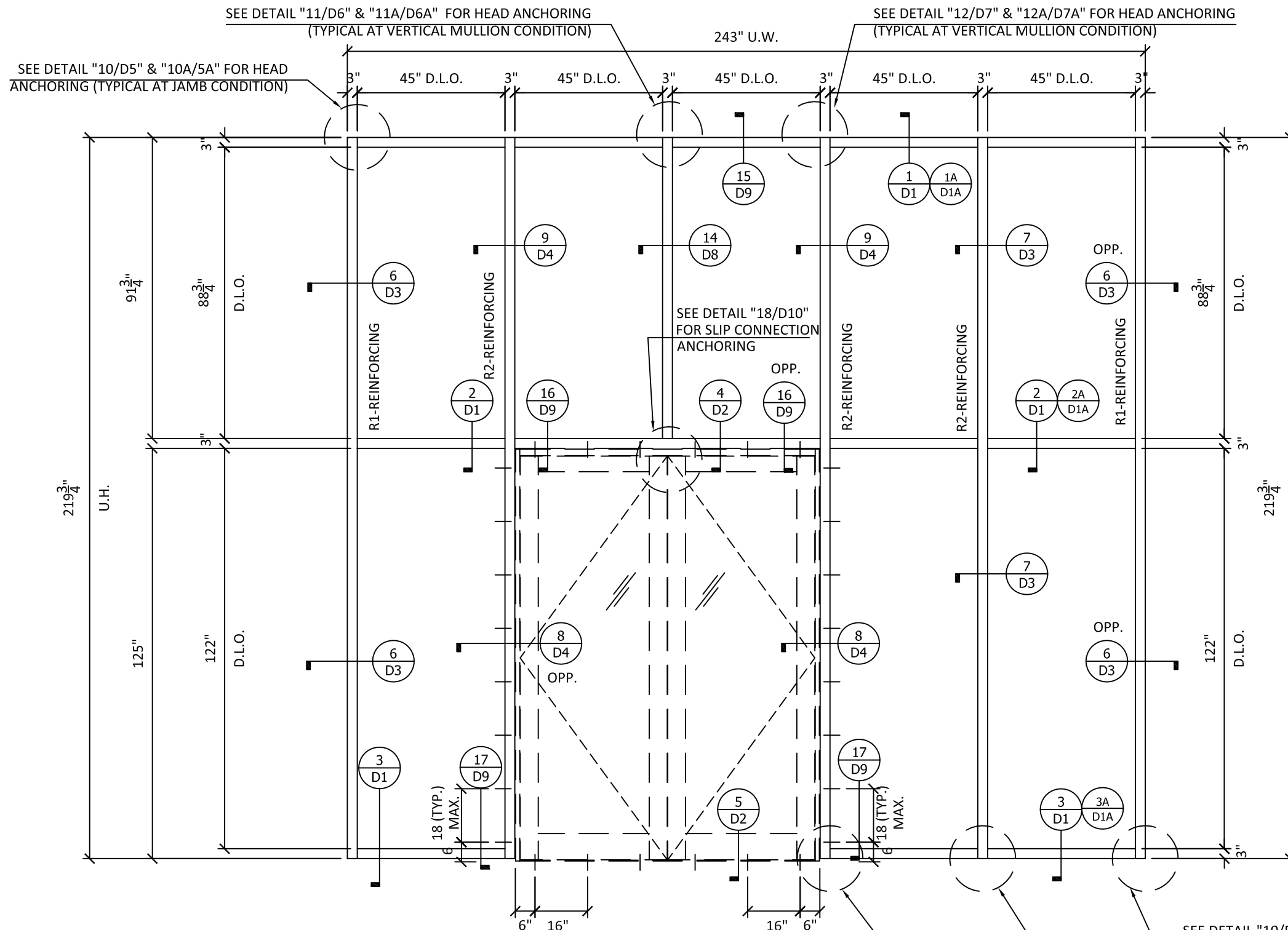
CHK. BY: HFN

SCALE: NTS

DWG. #: CGS122

SHEET: OF 21

E1



- NOTES:
- 1- ALL DIMENSIONS ARE IN INCHES
 - 2- ANTIBUCKLING CLIPS 4" LONG SPACED @ 18" O.C.
 - 3- 10000 DOOR UNDER SEPARATE APPROVAL

TYPICAL EXTERIOR ELEVATION
DP: +95/-95 PSF

SEE DETAIL "10/D5" & "10A/5A" FOR SILL ANCHORING (TYPICAL AT JAMB CONDITION) (OPP.)

SEE DETAIL "12/D7" & "12A/D7A" FOR SILL ANCHORING (TYPICAL AT VERTICAL MULLION CONDITION)

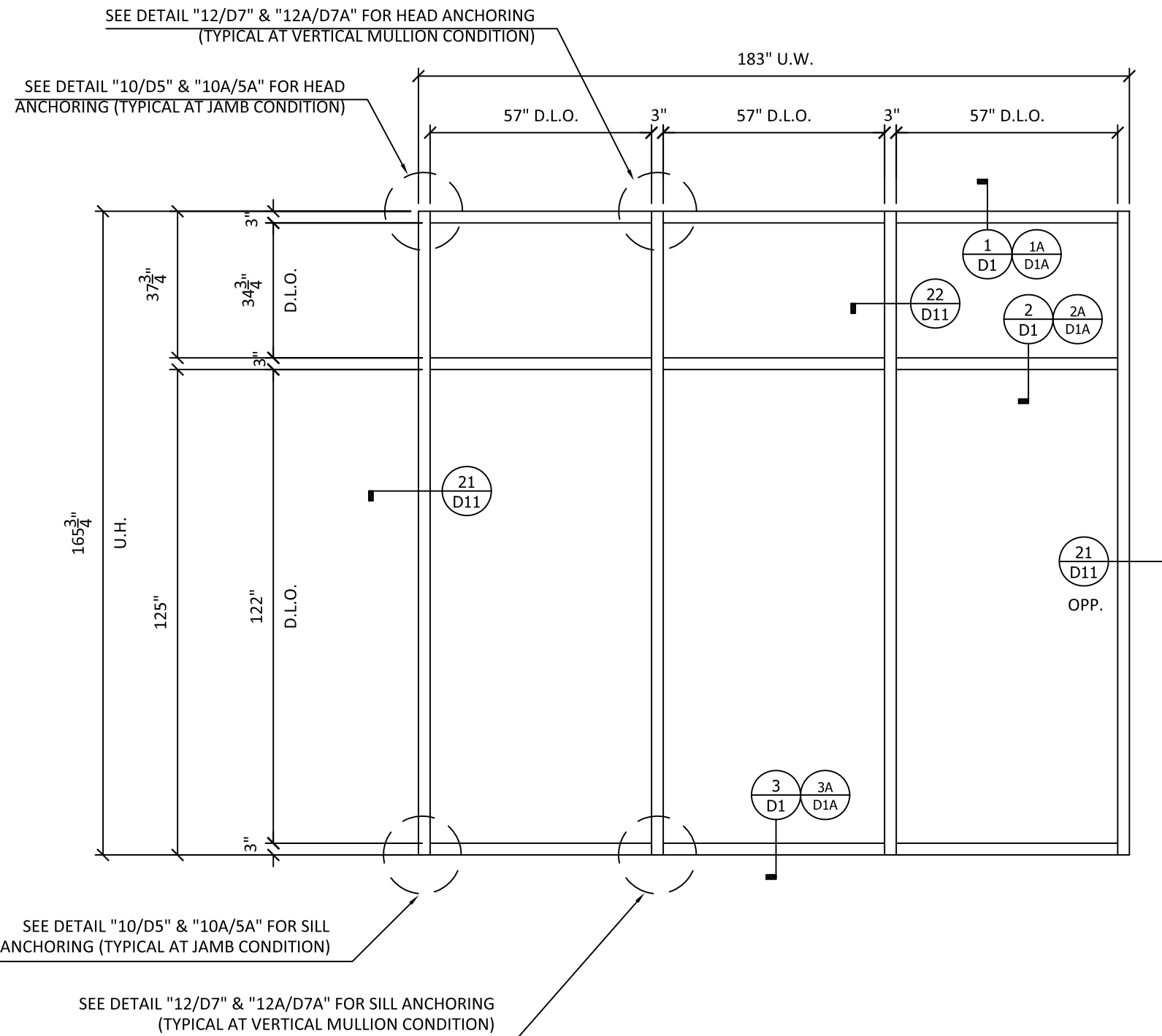
SEE DETAIL "13/D8" & "13A/D8A" FOR SILL ANCHORING (TYPICAL AT VERTICAL MULLION CONDITION)

SEE DETAIL "11/D6" & "11A/D6A" FOR HEAD ANCHORING (TYPICAL AT VERTICAL MULLION CONDITION)

SEE DETAIL "12/D7" & "12A/D7A" FOR HEAD ANCHORING (TYPICAL AT VERTICAL MULLION CONDITION)

SEE DETAIL "10/D5" & "10A/5A" FOR HEAD ANCHORING (TYPICAL AT JAMB CONDITION)

SEE DETAIL "18/D10" FOR SLIP CONNECTION ANCHORING



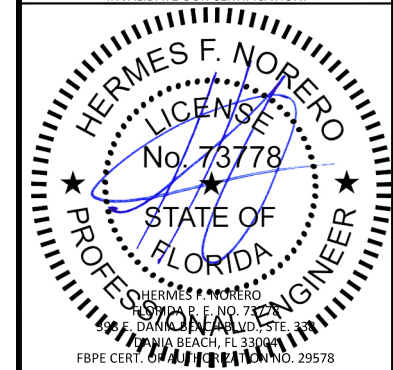
NOTE:
 1- ALL DIMENSIONS ARE IN INCHES
 2- ANTIBUCKLING CLIPS 4" LONG SPACED @ 18" O.C.

TYPICAL EXTERIOR ELEVATION
 DP: +95/-95 PSF

TITLE: **SERIES CW200 CURTAINWALL (LMI)**
 TYPICAL ELEVATION
 325 WEST 74 PLACE,
 HIALEAH, FL 33014
 PH: (305)231-1101
 FAX: (305)231-1103


REMARKS	BY	DATE

THIS DOCUMENT IS THE PROPERTY OF BUILDING DROPS, INC. AND SHALL NOT BE REPRODUCED IN WHOLE OR PART WITHOUT WRITTEN CONSENT OF BUILDING DROPS, INC. ALTERATIONS, ADDITIONS, HIGHLIGHTING, OR OTHER MARKINGS TO THIS DOCUMENT ARE NOT PERMITTED AND INVALIDATE OUR CERTIFICATION.



DATE:	03.07.16	
DWG. BY:	SM	CHK. BY: HFN
SCALE:	NTS	
DWG. #:	CGS122	
SHEET:	OF 21	

E2

PREPARED BY:



BUILDING DROPS, INC.

398 E. DANIA BEACH BLVD., STE. 338
DANIA BEACH, FL 33004
PH: (954)399-8478
FAX: (954)744.4738
WEB: www.buildingdrops.com

TITLE: SERIES CW200 CURTAINWALL (LMI)

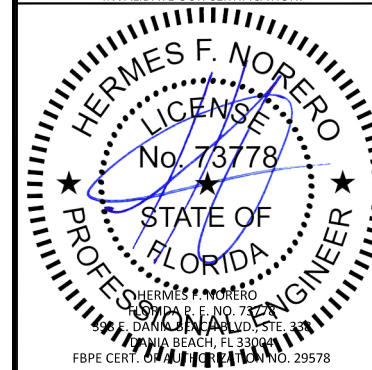
TYPICAL ELEVATION

325 WEST 74 PLACE,
HIALEAH, FL 33014
PH: (305)231-1101
FAX: (305)231-1103



REMARKS	BY	DATE

THIS DOCUMENT IS THE PROPERTY OF BUILDING DROPS, INC. AND SHALL NOT BE REPRODUCED IN WHOLE OR PART WITHOUT WRITTEN CONSENT OF BUILDING DROPS, INC. ALTERATIONS, ADDITIONS, HIGHLIGHTING, OR OTHER MARKINGS TO THIS DOCUMENT ARE NOT PERMITTED AND INVALIDATE OUR CERTIFICATION.



DATE: 03.07.16

DWG. BY: SM

CHK. BY: HFN

SCALE: NTS

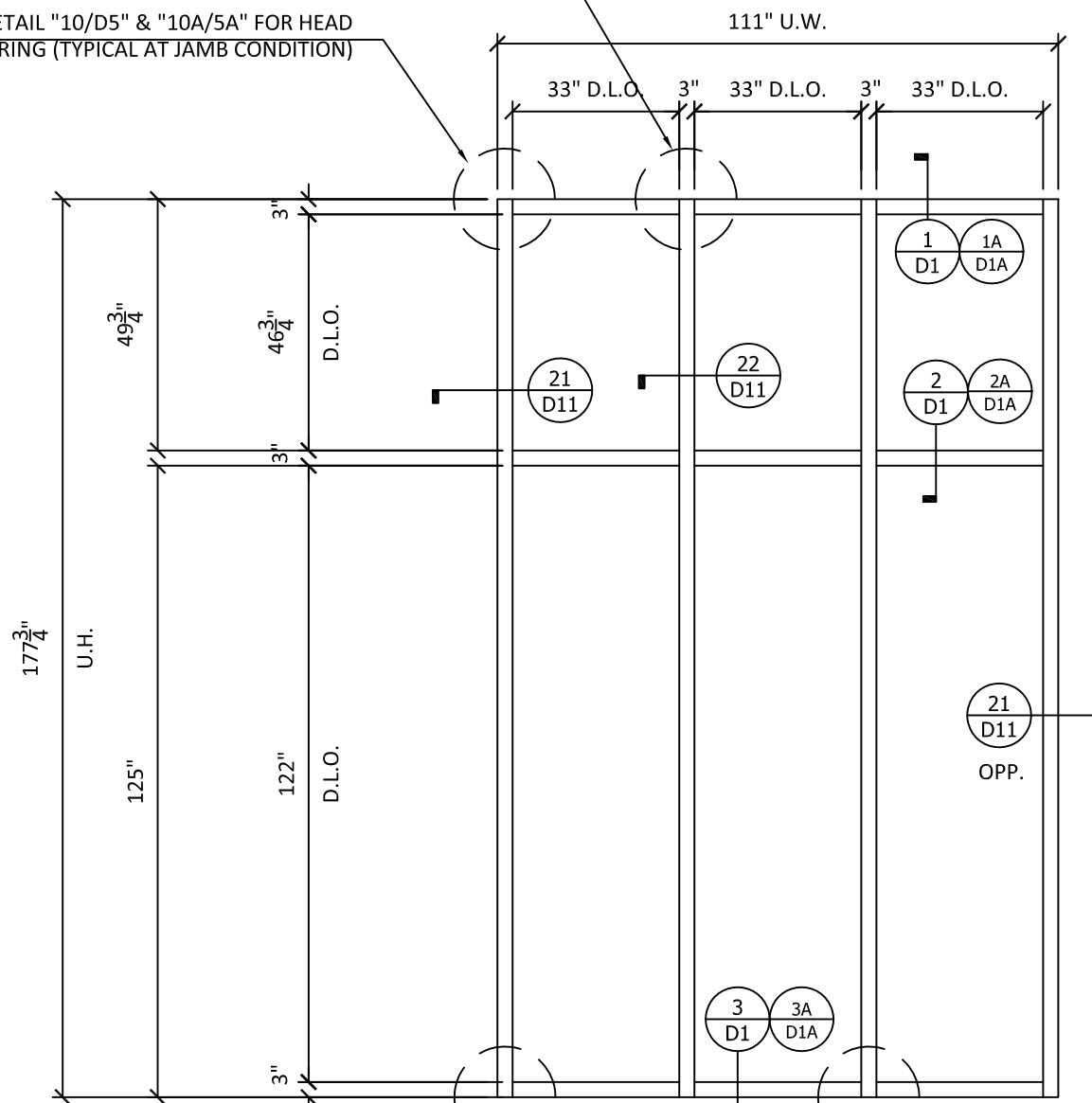
DWG. #: CGS122

SHEET: OF 21

E3

SEE DETAIL "12/D7" & "12A/D7A" FOR HEAD ANCHORING (TYPICAL AT VERTICAL MULLION CONDITION)

SEE DETAIL "10/D5" & "10A/5A" FOR HEAD ANCHORING (TYPICAL AT JAMB CONDITION)



SEE DETAIL "10/D5" & "10A/D5A" FOR SILL ANCHORING (TYPICAL AT JAMB CONDITION)

SEE DETAIL "12/D7" & "12A/D7A" FOR SILL ANCHORING (TYPICAL AT VERTICAL MULLION CONDITION)

NOTE:
1- ALL DIMENSIONS ARE IN INCHES
2- ANTIBUCKLING CLIPS 4" LONG SPACED @ 18" O.C.

TYPICAL EXTERIOR ELEVATION
DP: +100/-100 PSF

PREPARED BY:



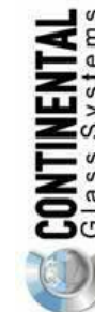
BUILDING DROPS, INC.

398 E. DANIA BEACH BLVD., STE. 338
DANIA BEACH, FL 33004
PH: (954)399-8478
FAX: (954)744.4738
WEB: www.buildingdrops.com

TITLE: SERIES CW200 CURTAINWALL (LMI)

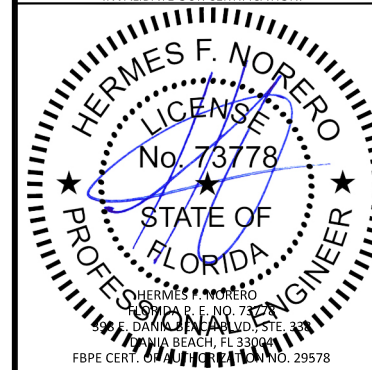
VERTICAL SECTION DETAILS

325 WEST 74 PLACE,
HIALEAH, FL 33014
PH: (305)231-1101
FAX: (305)231-1103



REMARKS	BY	DATE

THIS DOCUMENT IS THE PROPERTY OF BUILDING DROPS, INC. AND SHALL NOT BE REPRODUCED IN WHOLE OR PART WITHOUT WRITTEN CONSENT OF BUILDING DROPS, INC. ALTERATIONS, ADDITIONS, HIGHLIGHTING, OR OTHER MARKINGS TO THIS DOCUMENT ARE NOT PERMITTED AND INVALIDATE OUR CERTIFICATION.



DATE: 03.07.16

DWG. BY: SM

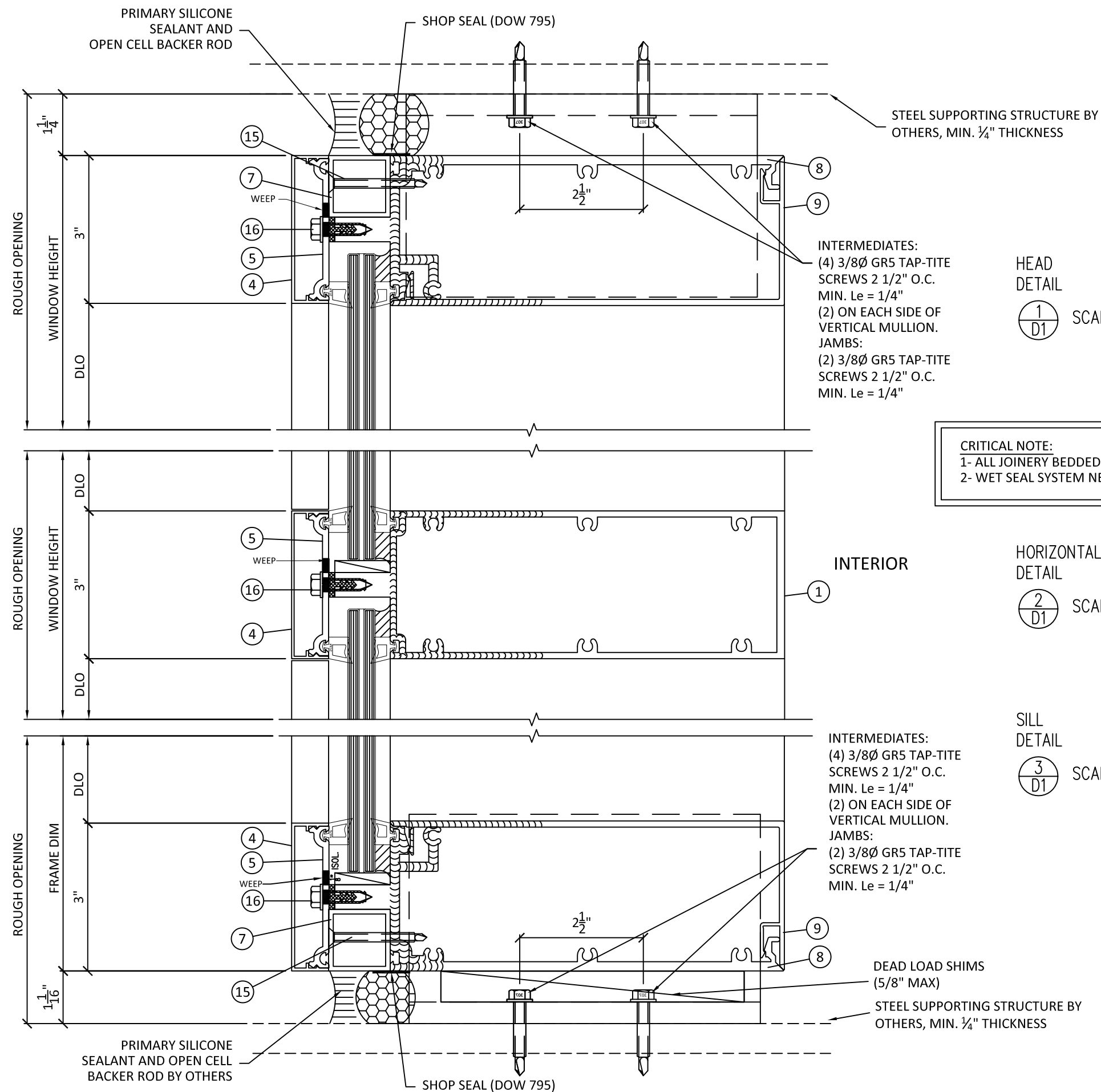
CHK. BY: HFN

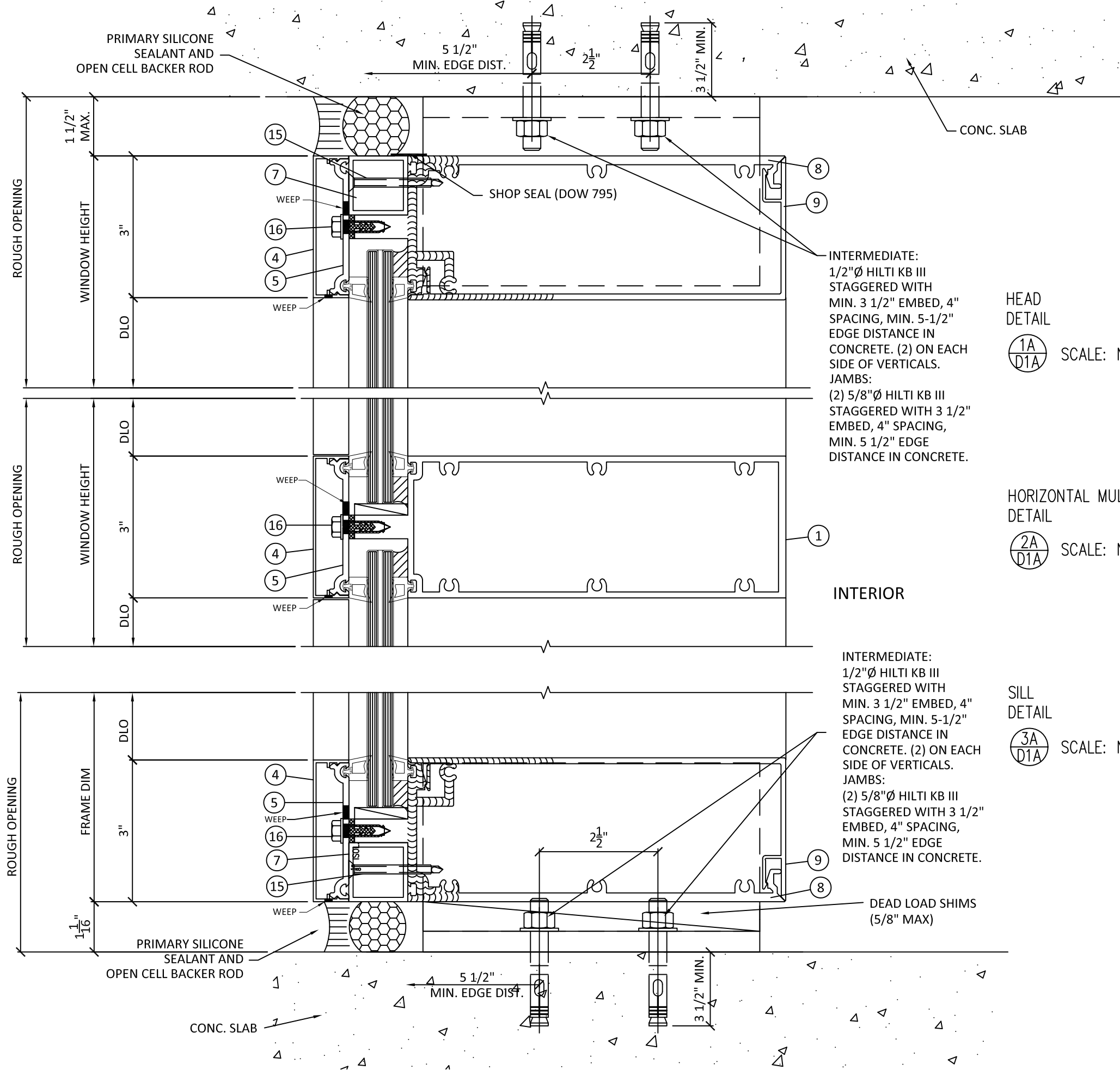
SCALE: NTS

DWG. #: CGS122

SHEET: OF 21

D1





PREPARED BY:

BUILDING DROPS, INC.
 398 E. DANIA BEACH BLVD., STE. 338
 DANIA BEACH, FL 33004
 PH: (954)399-8478
 FAX: (954)744.4738
 WEB: www.buildingdrops.com

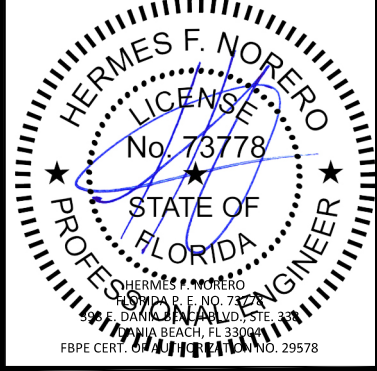
TITLE: **SERIES CW200 CURTAINWALL (LMI)**
VERTICAL SECTION DETAILS

325 WEST 74 PLACE,
 HIALEAH, FL 33014
 PH: (305)231-1101
 FAX: (305)231-1103

CONTINENTAL
 Glass Systems

REMARKS	BY	DATE

THIS DOCUMENT IS THE PROPERTY OF BUILDING DROPS, INC. AND SHALL NOT BE REPRODUCED IN WHOLE OR PART WITHOUT WRITTEN CONSENT OF BUILDING DROPS, INC. ALTERATIONS, ADDITIONS, HIGHLIGHTING, OR OTHER MARKINGS TO THIS DOCUMENT ARE NOT PERMITTED AND INVALIDATE OUR CERTIFICATION.



DATE: **03.07.16**

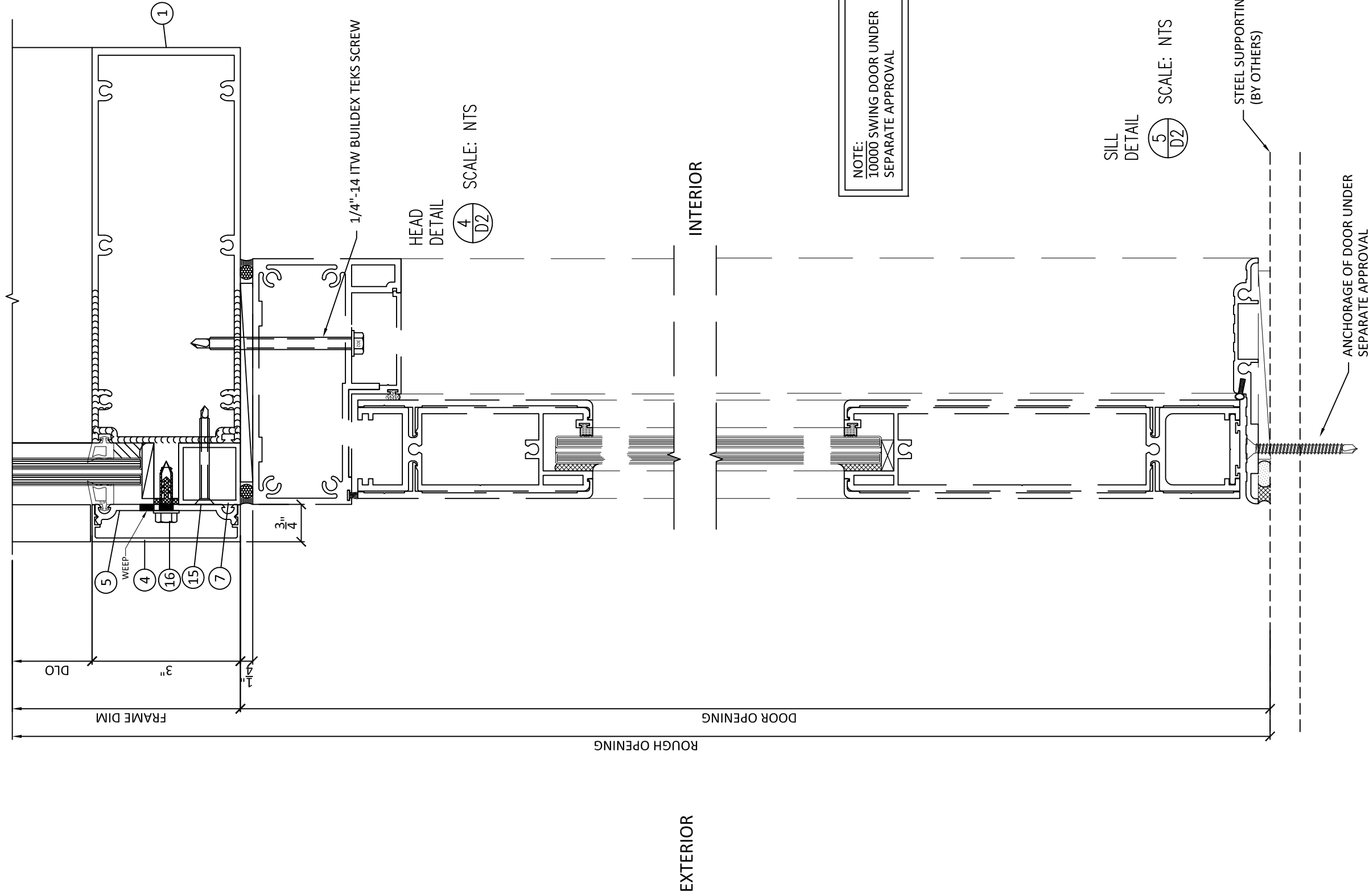
DWG. BY: **SM** CHK. BY: **HFN**

SCALE: **NTS**

DWG. #: **CGS122**

SHEET: OF 21

D1A



NOTE:
10000 SWING DOOR UNDER
SEPARATE APPROVAL

ANCHORAGE OF DOOR UNDER
SEPARATE APPROVAL

PREPARED BY:

BUILDING DROPS, INC.
 398 E. DANIA BEACH BLVD., STE. 338
 DANIA BEACH, FL 33004
 PH: (954)399-8478
 FAX: (954)744.4738
 WEB: www.buildingdrops.com

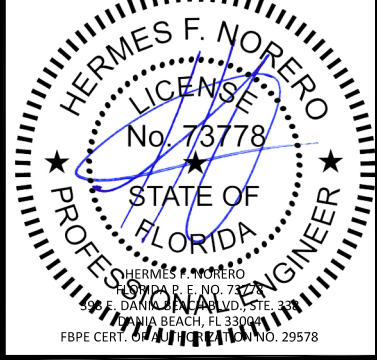
TITLE: **SERIES CW200 CURTAINWALL (LMI)**
VERTICAL SECTION DETAILS

325 WEST 74 PLACE,
 HIALEAH, FL 33014
 PH: (305)231-1101
 FAX: (305)231-1103



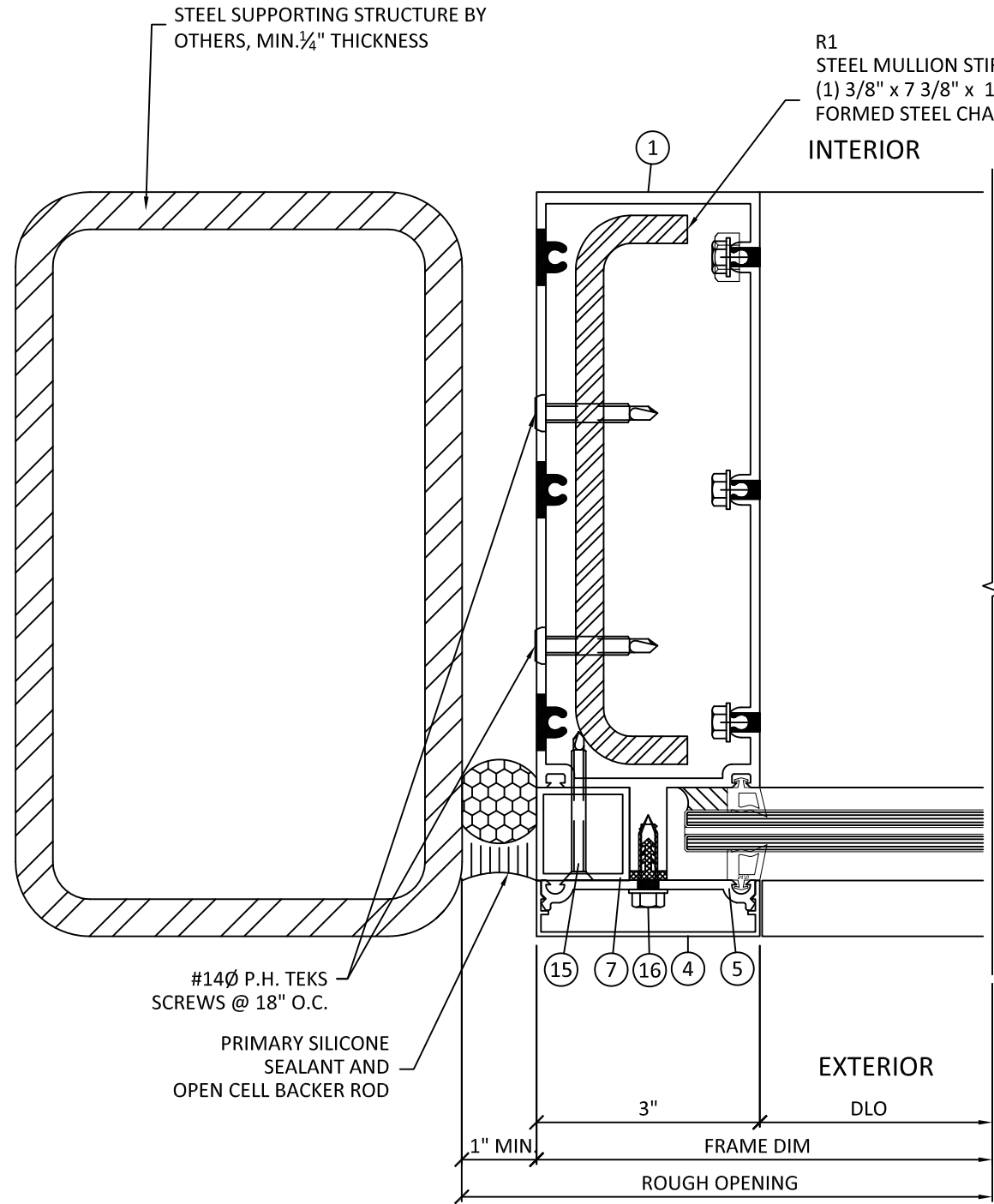
REMARKS	BY	DATE

THIS DOCUMENT IS THE PROPERTY OF BUILDING DROPS, INC. AND SHALL NOT BE REPRODUCED IN WHOLE OR PART WITHOUT WRITTEN CONSENT OF BUILDING DROPS, INC. ALTERATIONS, ADDITIONS, HIGHLIGHTING, OR OTHER MARKINGS TO THIS DOCUMENT ARE NOT PERMITTED AND INVALIDATE OUR CERTIFICATION.

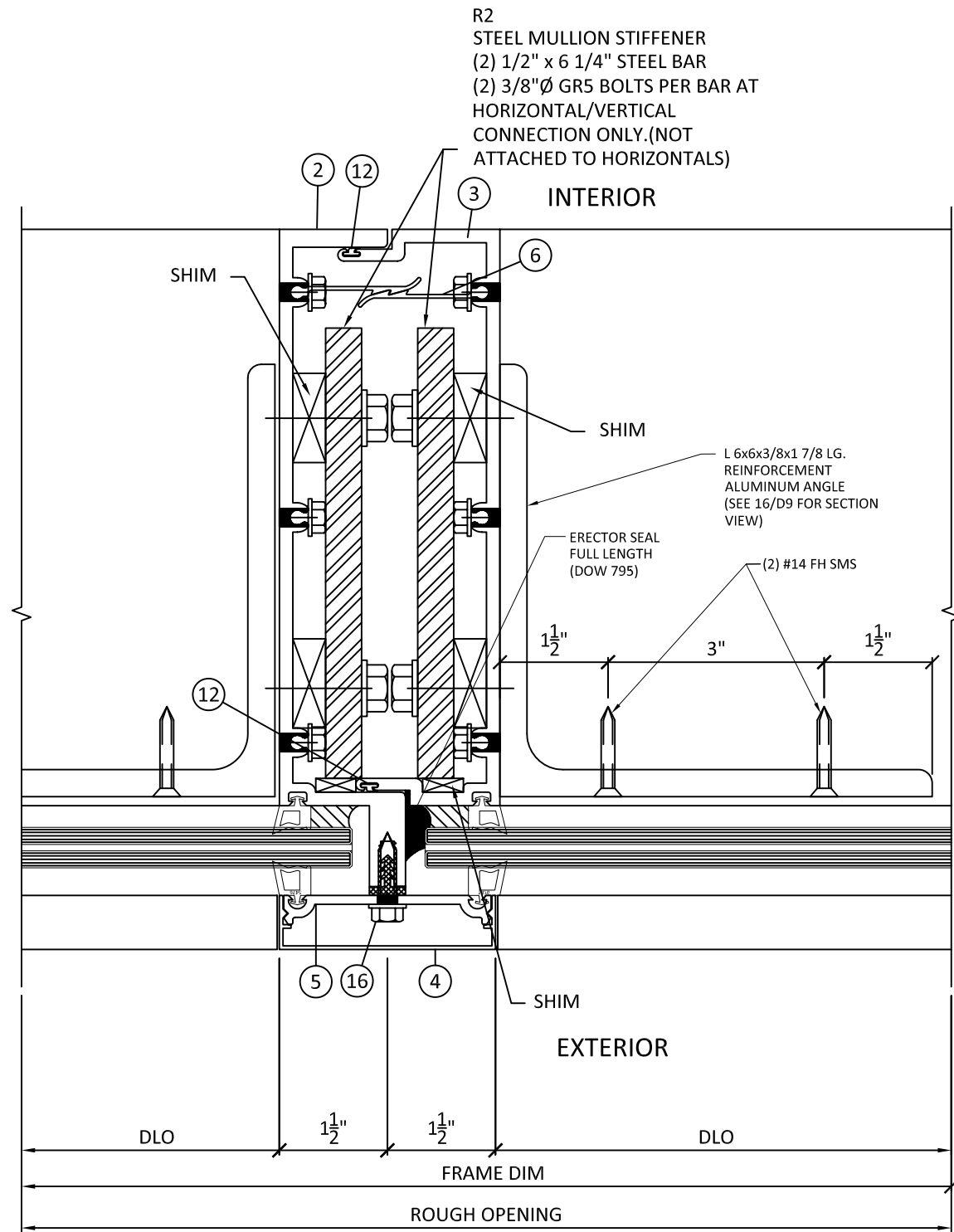


DATE: **03.07.16**
 DWG. BY: **SM** CHK. BY: **HFN**
 SCALE: **NTS**
 DWG. #: **CGS122**
 SHEET: OF 21

D2



JAMB
DETAIL
6
D3 SCALE: NTS



VERTICAL MULLION
DETAIL
7
D3 SCALE: NTS

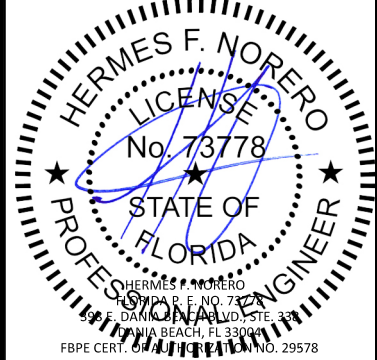
PREPARED BY:

BUILDING DROPS, INC.
 398 E. DANIA BEACH BLVD., STE. 338
 DANIA BEACH, FL 33004
 PH: (954)399-8478
 FAX: (954)744-4738
 WEB: www.buildingdrops.com

TITLE: SERIES CW200 CURTAINWALL (LMI)
 HORIZONTAL SECTION DETAILS
 325 WEST 74 PLACE,
 HIALEAH, FL 33014
 PH: (305)231-1101
 FAX: (305)231-1103


REMARKS	BY	DATE

THIS DOCUMENT IS THE PROPERTY OF BUILDING DROPS, INC. AND SHALL NOT BE REPRODUCED IN WHOLE OR PART WITHOUT WRITTEN CONSENT OF BUILDING DROPS, INC. ALTERATIONS, ADDITIONS, HIGHLIGHTING, OR OTHER MARKINGS TO THIS DOCUMENT ARE NOT PERMITTED AND INVALIDATE OUR CERTIFICATION.



DATE: 03.07.16
 DWG. BY: SM
 CHK. BY: HFN
 SCALE: NTS
 DWG. #: CGS122
 SHEET: OF 21

D3

PREPARED BY:



BUILDING DROPS, INC.

398 E. DANIA BEACH BLVD., STE. 338
 DANIA BEACH, FL 33004
 PH: (954)399-8478
 FAX: (954)744.4738
 WEB: www.buildingdrops.com

TITLE: SERIES CW200 CURTAINWALL (LMI)

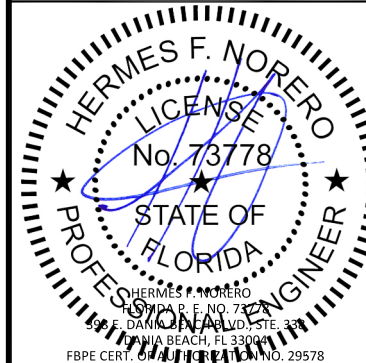
HORIZONTAL SECTION DETAILS

325 WEST 74 PLACE,
 HIALEAH, FL 33014
 PH: (305)231-1101
 FAX: (305)231-1103



REMARKS	BY	DATE

THIS DOCUMENT IS THE PROPERTY OF BUILDING DROPS, INC. AND SHALL NOT BE REPRODUCED IN WHOLE OR PART WITHOUT WRITTEN CONSENT OF BUILDING DROPS, INC. ALTERATIONS, ADDITIONS, HIGHLIGHTING, OR OTHER MARKINGS TO THIS DOCUMENT ARE NOT PERMITTED AND INVALIDATE OUR CERTIFICATION.



DATE: 03.07.16

DWG. BY: SM CHK. BY: HFN

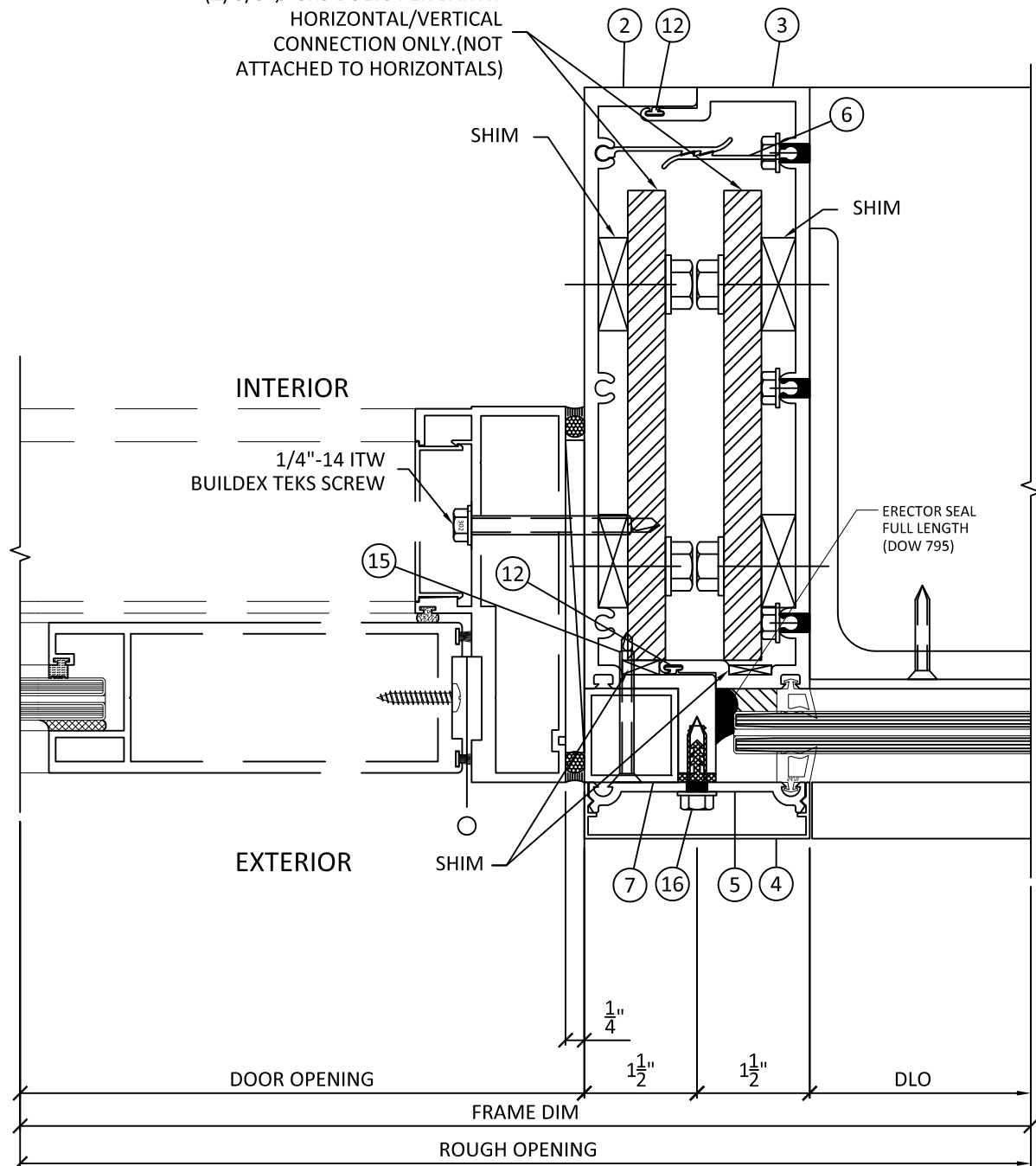
SCALE: NTS

DWG. #: CGS122

SHEET: OF 21

D4

R2
 STEEL MULLION STIFFENER
 (2) 1/2" x 6 1/4" STEEL BAR
 (2) 3/8"Ø GR5 BOLTS PER BAR AT
 HORIZONTAL/VERTICAL
 CONNECTION ONLY.(NOT
 ATTACHED TO HORIZONTALS)



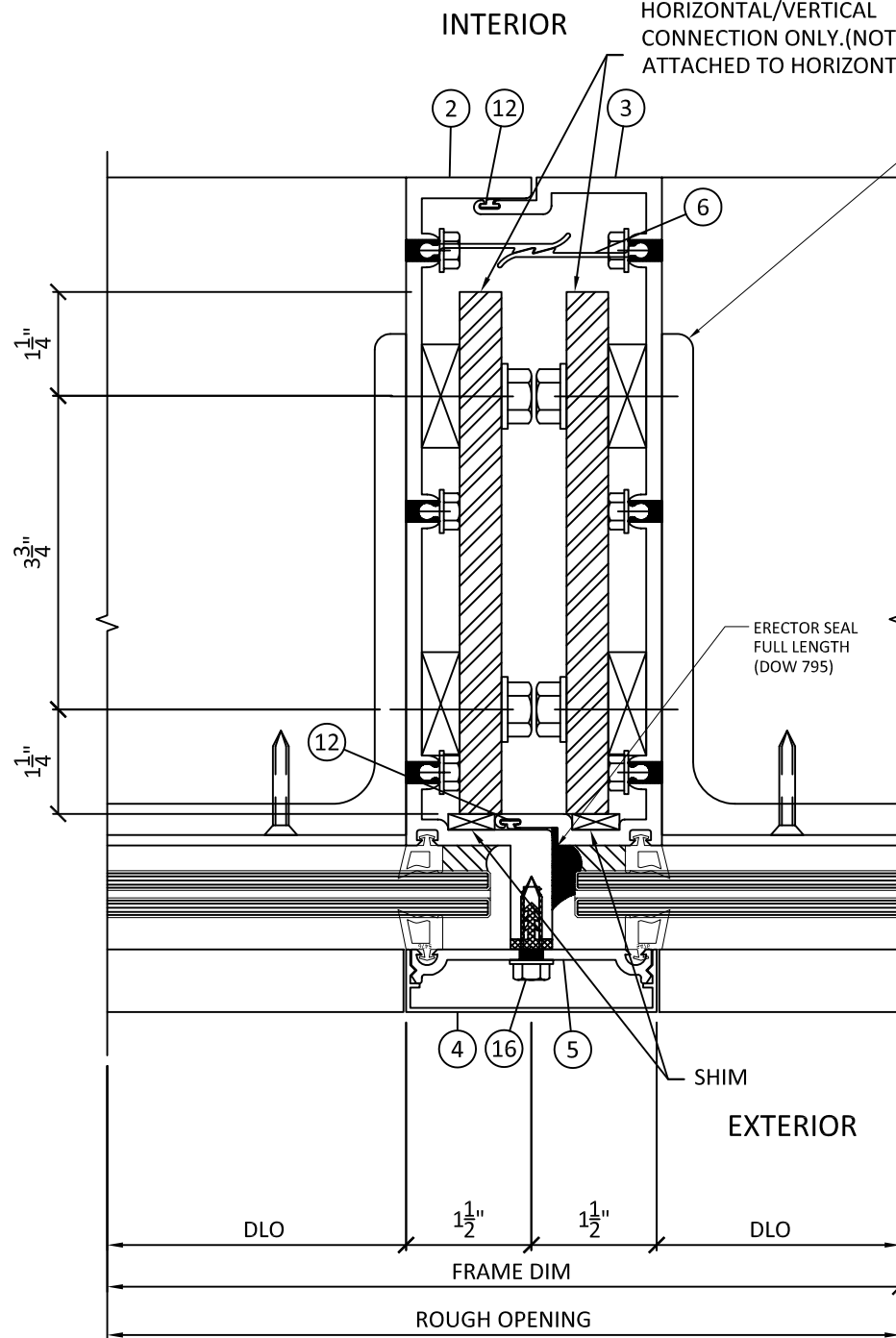
DOOR JAMB
 DETAIL

8 / D4 SCALE: NTS

NOTE:
 10000 SWING DOOR UNDER
 SEPARATE APPROVAL

R2
 STEEL MULLION STIFFENER
 (2) 1/2" x 6 1/4" STEEL BAR
 (2) 3/8"Ø GR5 BOLTS PER BAR AT
 HORIZONTAL/VERTICAL
 CONNECTION ONLY.(NOT
 ATTACHED TO HORIZONTALS)

L 6x6x3/8x1 7/8 LG.
 REINFORCEMENT
 ALUMINUM ANGLE
 (SEE 7/D3 FOR FULL
 DETAIL AND 16/D9
 FOR SECTION
 VIEW)



VERTICAL MULLION
 DETAIL

9 / D4 SCALE: NTS

PREPARED BY:



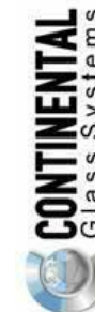
BUILDING DROPS, INC.

398 E. DANIA BEACH BLVD., STE. 338
DANIA BEACH, FL 33004
PH: (954)399-8478
FAX: (954)744.4738
WEB: www.buildingdrops.com

TITLE: SERIES CW200 CURTAINWALL (LMI)

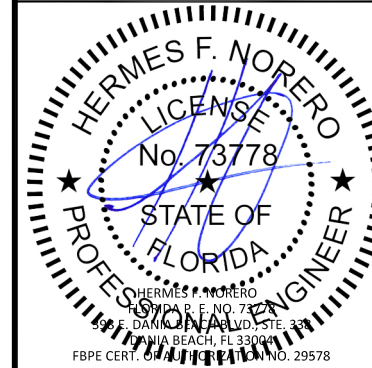
HORIZONTAL SECTION DETAILS

325 WEST 74 PLACE,
HIALEAH, FL 33014
PH: (305)231-1101
FAX: (305)231-1103



REMARKS	BY	DATE

THIS DOCUMENT IS THE PROPERTY OF BUILDING DROPS, INC. AND SHALL NOT BE REPRODUCED IN WHOLE OR PART WITHOUT WRITTEN CONSENT OF BUILDING DROPS, INC. ALTERATIONS, ADDITIONS, HIGHLIGHTING, OR OTHER MARKINGS TO THIS DOCUMENT ARE NOT PERMITTED AND INVALIDATE OUR CERTIFICATION.



DATE: 03.07.16

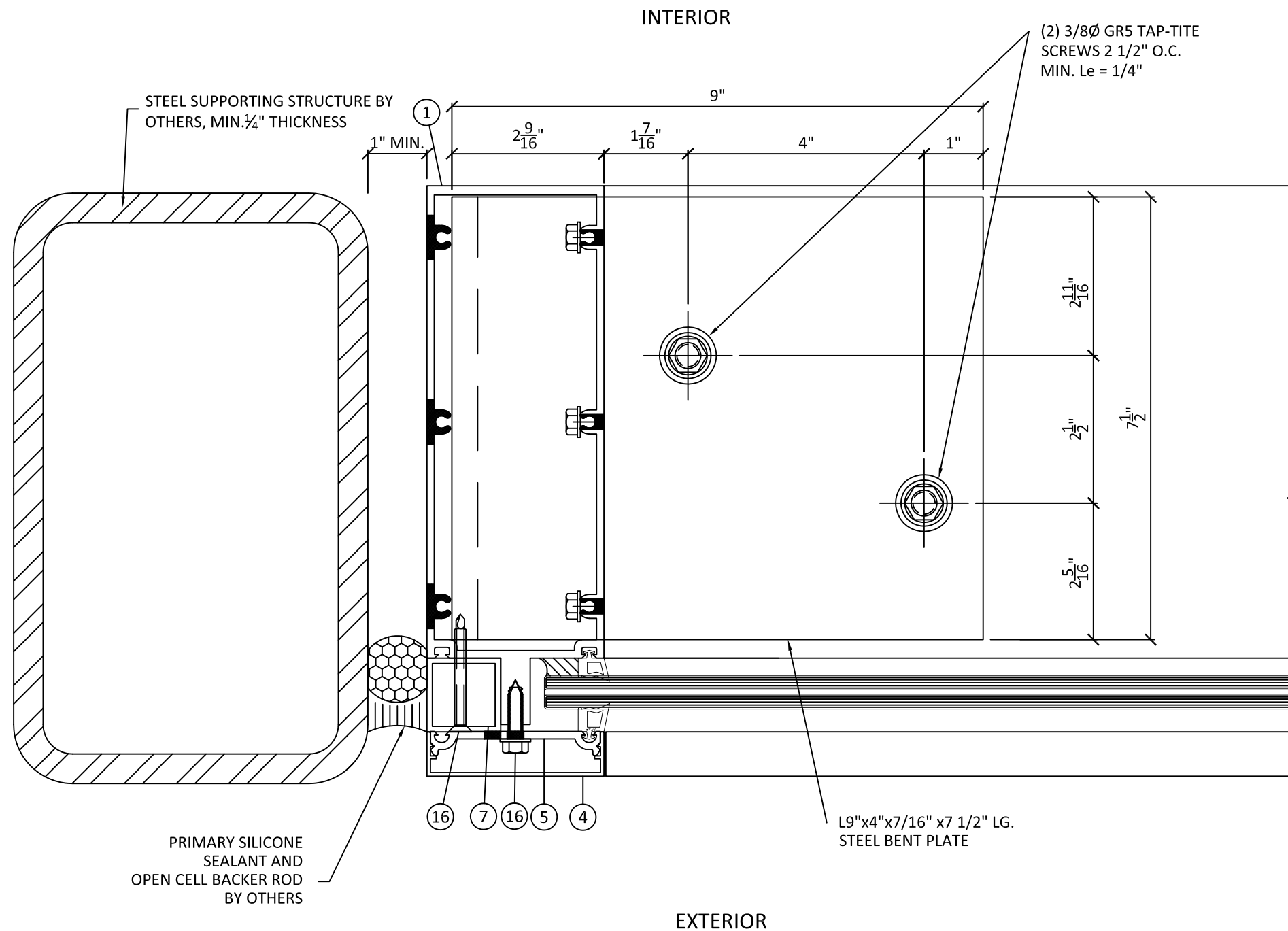
DWG. BY: SM CHK. BY: HFN

SCALE: NTS

DWG. #: CGS122

SHEET: OF 21

D5



JAMB HEAD AND SILL ANCHORING DETAIL

SCALE: NTS

PREPARED BY:



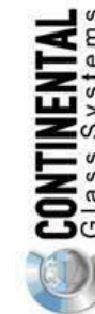
BUILDING DROPS, INC.

398 E. DANIA BEACH BLVD., STE. 338
DANIA BEACH, FL 33004
PH: (954)399-8478
FAX: (954)744.4738
WEB: www.buildingdrops.com

TITLE: SERIES CW200 CURTAINWALL (LMI)

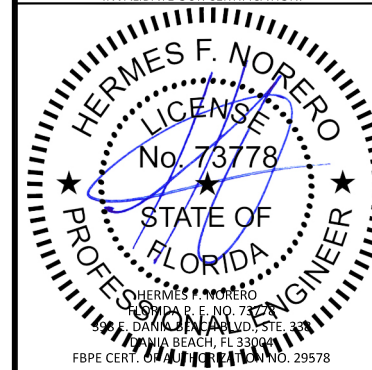
HORIZONTAL SECTION DETAILS

325 WEST 74 PLACE,
HIALEAH, FL 33014
PH: (305)231-1101
FAX: (305)231-1103



REMARKS	BY	DATE

THIS DOCUMENT IS THE PROPERTY OF BUILDING DROPS, INC. AND SHALL NOT BE REPRODUCED IN WHOLE OR PART WITHOUT WRITTEN CONSENT OF BUILDING DROPS, INC. ALTERATIONS, ADDITIONS, HIGHLIGHTING, OR OTHER MARKINGS TO THIS DOCUMENT ARE NOT PERMITTED AND INVALIDATE OUR CERTIFICATION.



DATE: 03.07.16

DWG. BY: SM

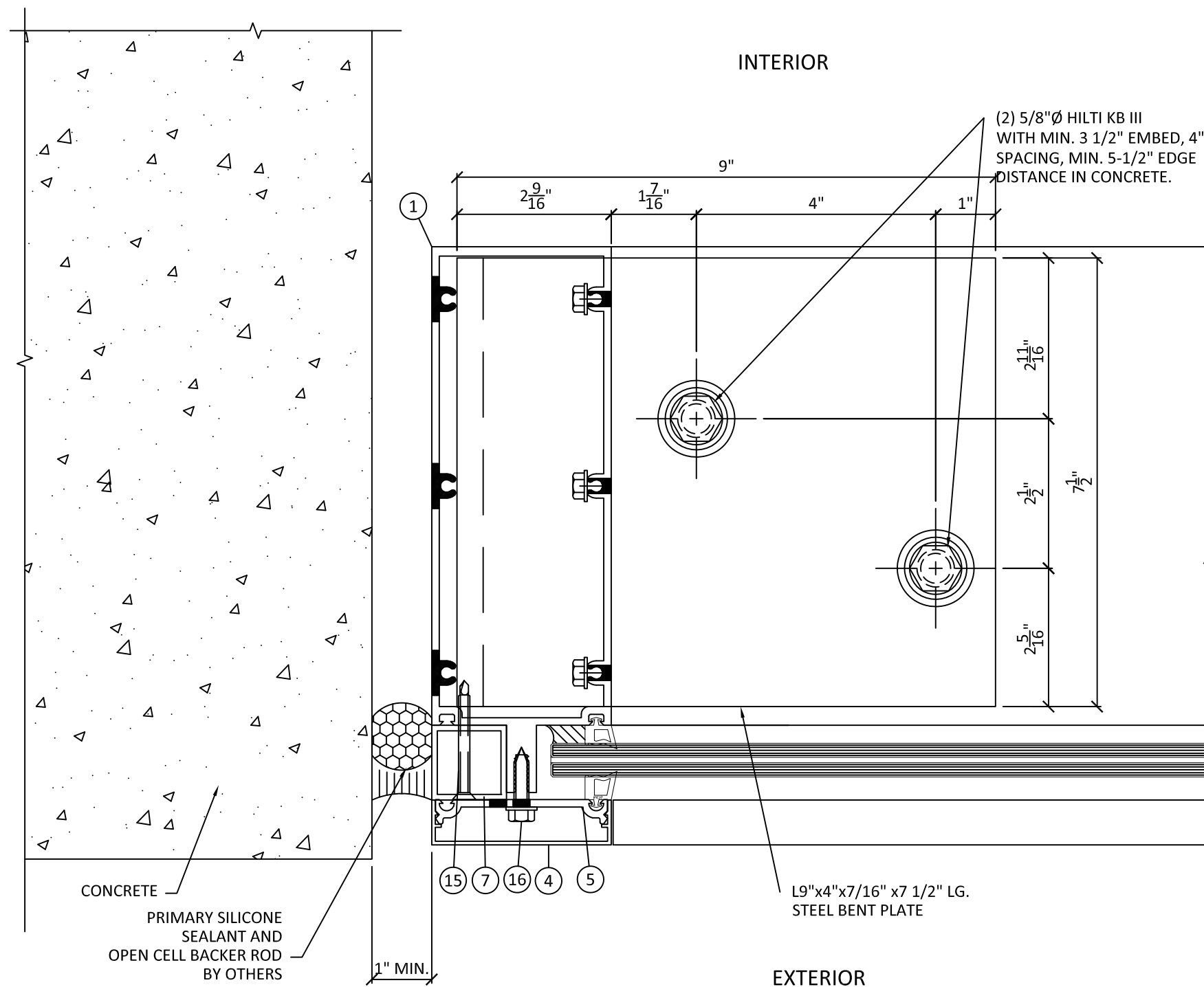
CHK. BY: HFN

SCALE: NTS

DWG. #: CGS122

SHEET: OF 21

D5A



INTERIOR

(2) 5/8"Ø HILTI KB III WITH MIN. 3 1/2" EMBED, 4" SPACING, MIN. 5-1/2" EDGE DISTANCE IN CONCRETE.

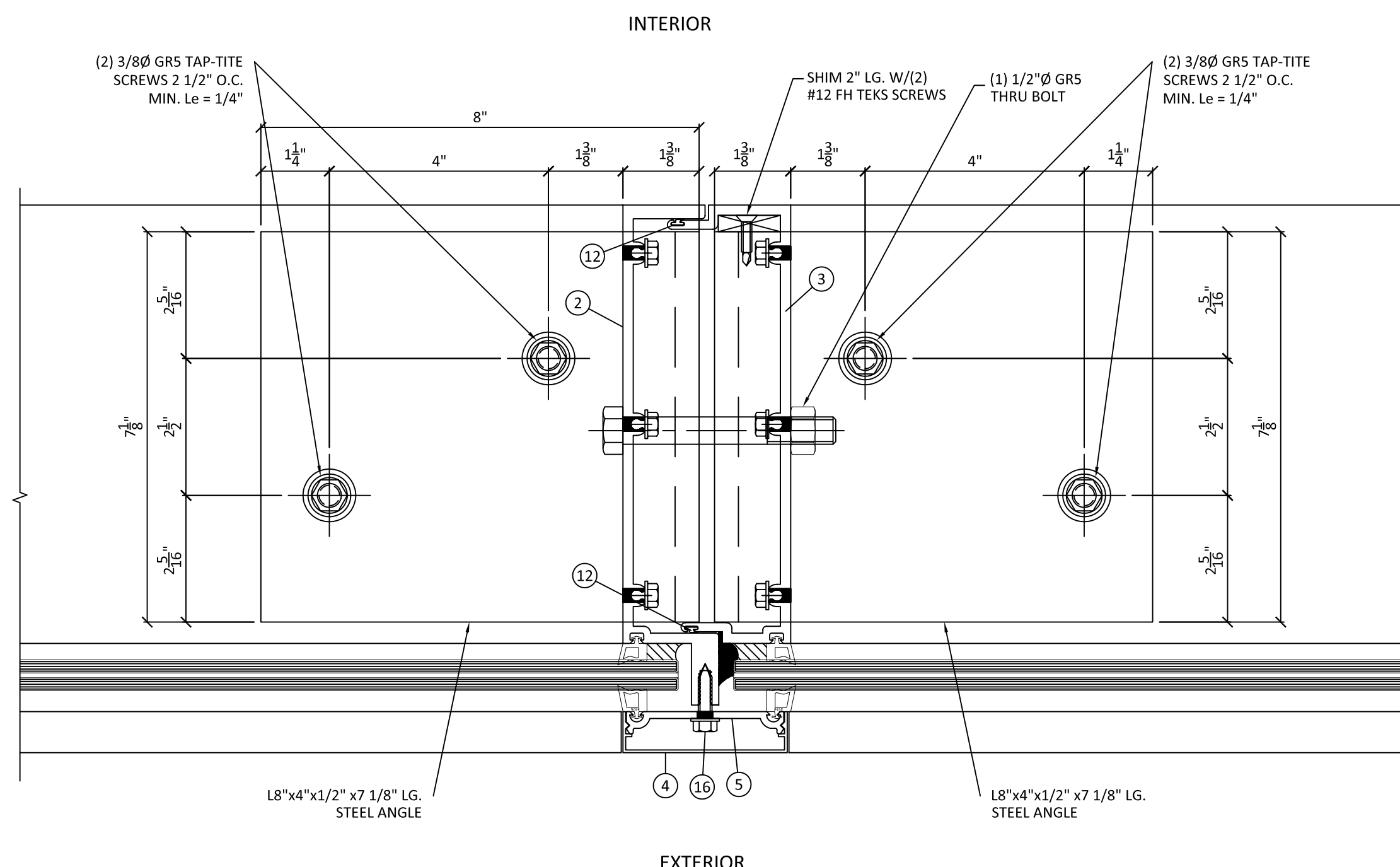
CONCRETE
PRIMARY SILICONE SEALANT AND OPEN CELL BACKER ROD BY OTHERS

L9"x4"x7/16" x7 1/2" LG. STEEL BENT PLATE

EXTERIOR

JAMB HEAD AND SILL ANCHORING DETAIL

10A D5A SCALE: NTS



(2) 3/8Ø GR5 TAP-TITE SCREWS 2 1/2" O.C. MIN. Le = 1/4"

SHIM 2" LG. W/(2) #12 FH TEKS SCREWS

(1) 1/2"Ø GR5 THRU BOLT

(2) 3/8Ø GR5 TAP-TITE SCREWS 2 1/2" O.C. MIN. Le = 1/4"

L8"x4"x1/2" x7 1/8" LG. STEEL ANGLE

L8"x4"x1/2" x7 1/8" LG. STEEL ANGLE

PREPARED BY:

BUILDING DROPS, INC.
 398 E. DANIA BEACH BLVD., STE. 338
 DANIA BEACH, FL 33004
 PH: (954)399-8478
 FAX: (954)744.4738
 WEB: www.buildingdrops.com

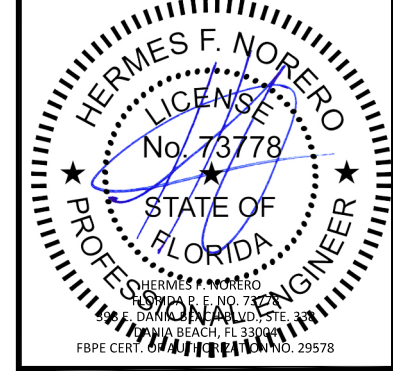
TITLE: **SERIES CW200 CURTAINWALL (LMI)**
HORIZONTAL SECTION DETAILS

325 WEST 74 PLACE,
 HIALEAH, FL 33014
 PH: (305)231-1101
 FAX: (305)231-1103

CONTINENTAL
 Glass Systems

REMARKS	BY	DATE

THIS DOCUMENT IS THE PROPERTY OF BUILDING DROPS, INC. AND SHALL NOT BE REPRODUCED IN WHOLE OR PART WITHOUT WRITTEN CONSENT OF BUILDING DROPS, INC. ALTERATIONS, ADDITIONS, HIGHLIGHTING, OR OTHER MARKINGS TO THIS DOCUMENT ARE NOT PERMITTED AND INVALIDATE OUR CERTIFICATION.



DATE: **03.07.16**

DWG. BY: **SM** CHK. BY: **HFN**

SCALE: **NTS**

DWG. #: **CGS122**

SHEET: OF 21

D6

PREPARED BY:



BUILDING DROPS, INC.

398 E. DANIA BEACH BLVD., STE. 338
DANIA BEACH, FL 33004
PH: (954)399-8478
FAX: (954)744.4738
WEB: www.buildingdrops.com

TITLE: SERIES CW200 CURTAINWALL (LMI)

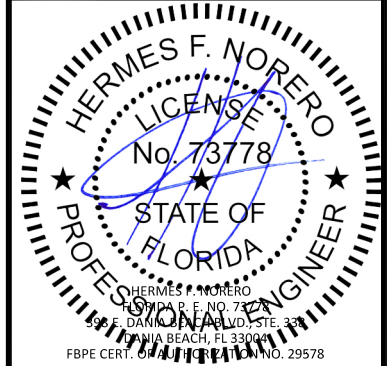
HORIZONTAL SECTION DETAILS

325 WEST 74 PLACE,
HIALEAH, FL 33014
PH: (305)231-1101
FAX: (305)231-1103



REMARKS	BY	DATE

THIS DOCUMENT IS THE PROPERTY OF BUILDING DROPS, INC. AND SHALL NOT BE REPRODUCED IN WHOLE OR PART WITHOUT WRITTEN CONSENT OF BUILDING DROPS, INC. ALTERATIONS, ADDITIONS, HIGHLIGHTING, OR OTHER MARKINGS TO THIS DOCUMENT ARE NOT PERMITTED AND INVALIDATE OUR CERTIFICATION.



DATE: 03.07.16

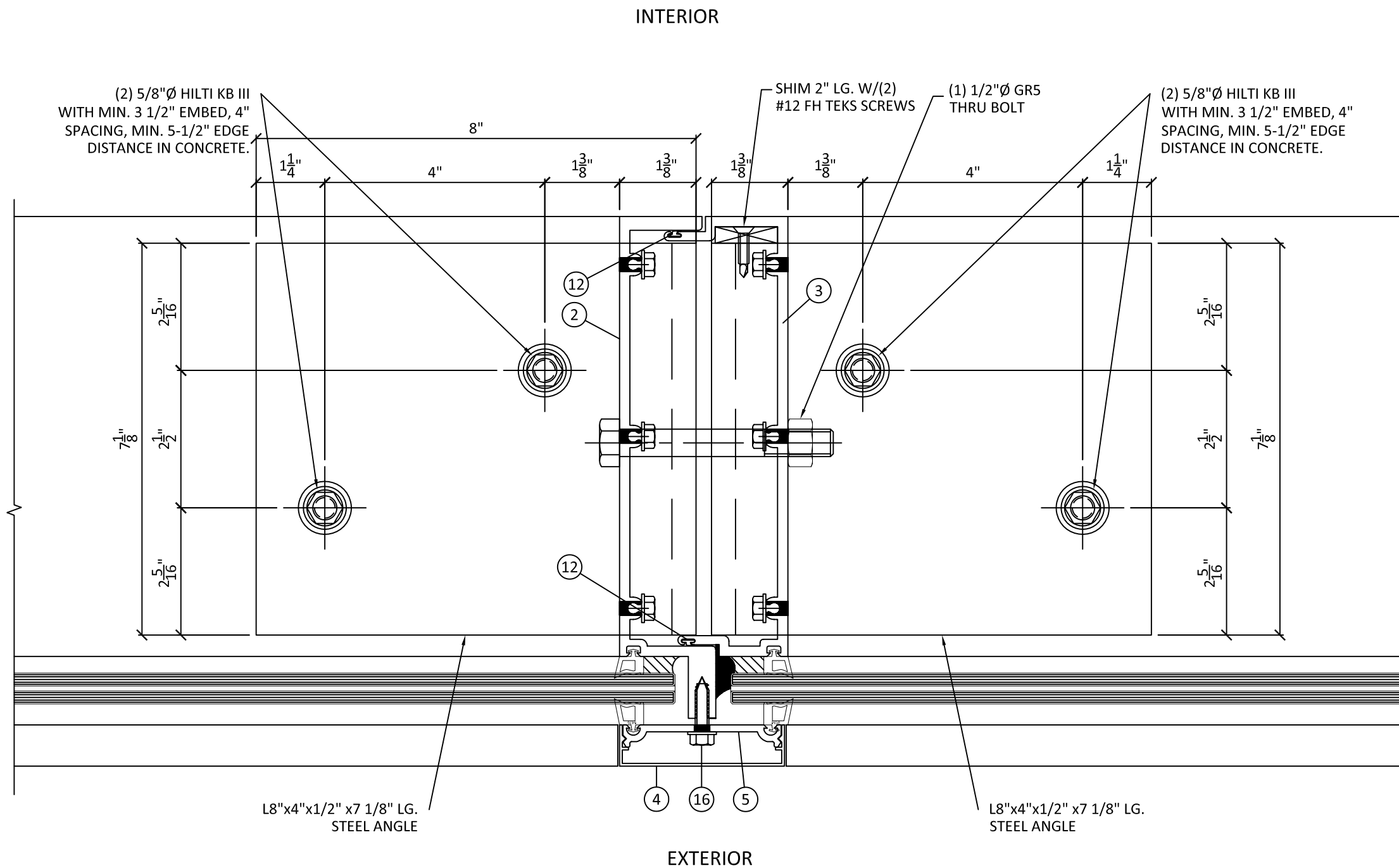
DWG. BY: SM CHK. BY: HFN

SCALE: NTS

DWG. #: CGS122

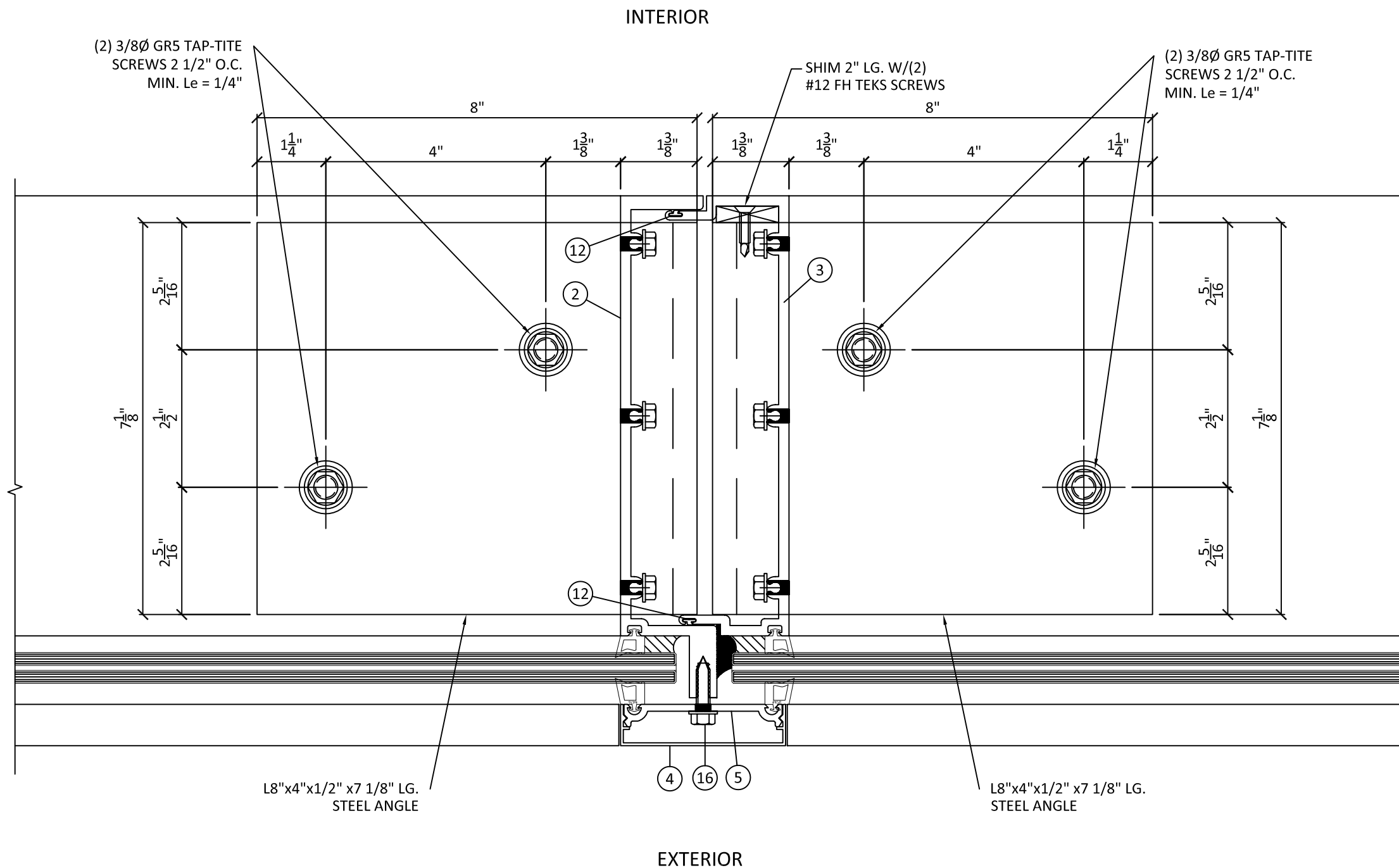
SHEET: OF 21

D6A



VERTICAL MULLION
HEAD ANCHORING
DETAIL

11A
D6A SCALE: NTS



VERTICAL MULLION
HEAD & SILL
ANCHORING DETAIL

12 / D7 SCALE: NTS

PREPARED BY:

BUILDING DROPS, INC.
 398 E. DANIA BEACH BLVD., STE. 338
 DANIA BEACH, FL 33004
 PH: (954)399-8478
 FAX: (954)744.4738
 WEB: www.buildingdrops.com

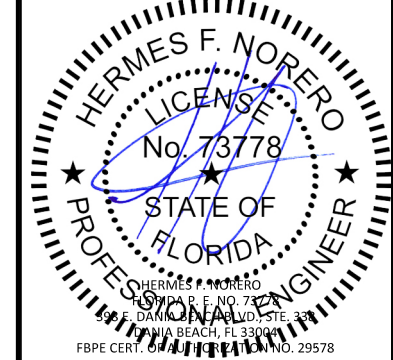
TITLE: **SERIES CW200 CURTAINWALL (LMI)**
HORIZONTAL SECTION DETAILS

325 WEST 74 PLACE,
 HIALEAH, FL 33014
 PH: (305)231-1101
 FAX: (305)231-1103

CONTINENTAL
 Glass Systems

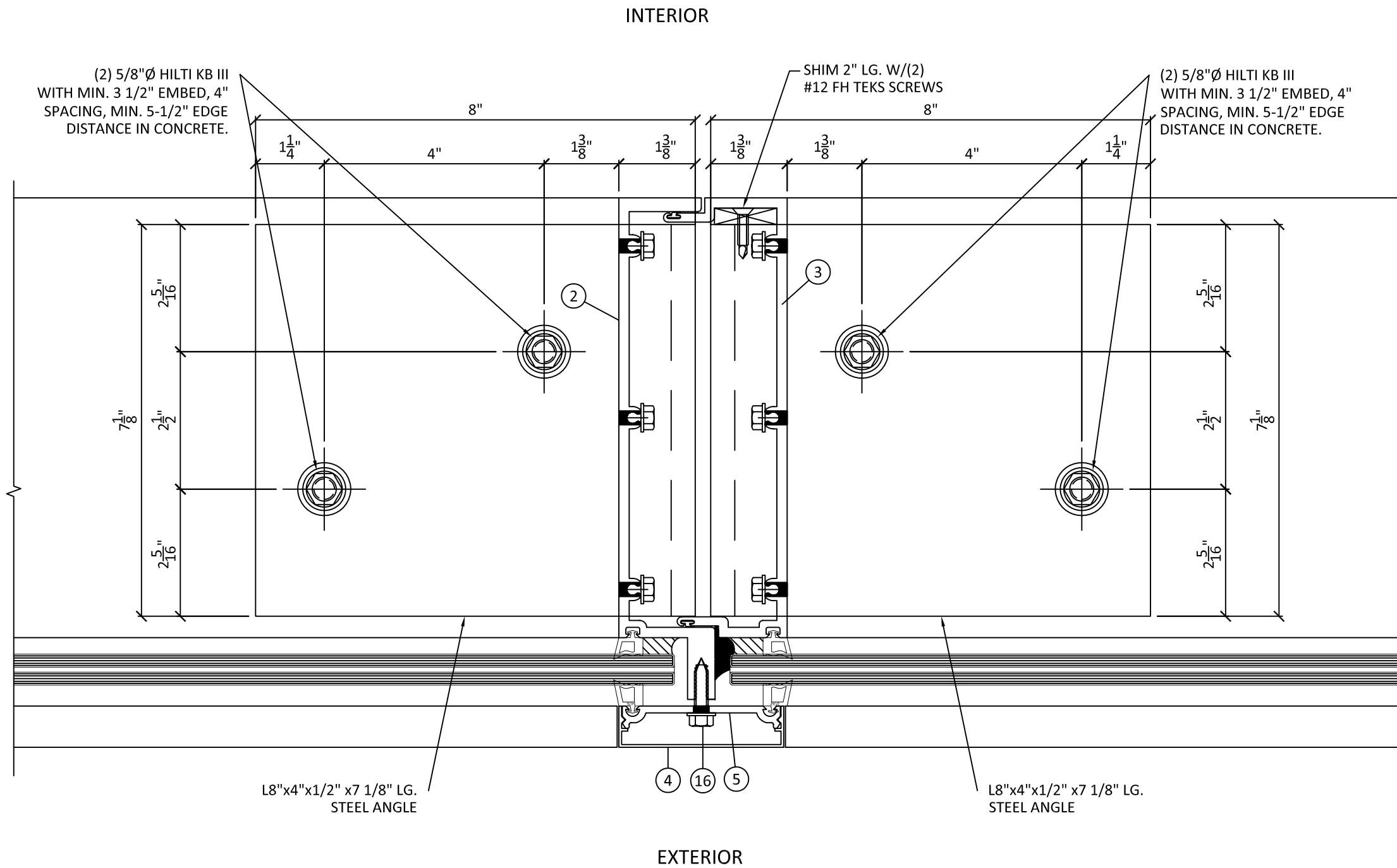
REMARKS	BY	DATE

THIS DOCUMENT IS THE PROPERTY OF BUILDING DROPS, INC. AND SHALL NOT BE REPRODUCED IN WHOLE OR PART WITHOUT WRITTEN CONSENT OF BUILDING DROPS, INC. ALTERATIONS, ADDITIONS, HIGHLIGHTING, OR OTHER MARKINGS TO THIS DOCUMENT ARE NOT PERMITTED AND INVALIDATE OUR CERTIFICATION.



DATE: **03.07.16**
 DWG. BY: **SM** | CHK. BY: **HFN**
 SCALE: **NTS**
 DWG. #: **CGS122**
 SHEET: **OF 21**

D7



(2) 5/8"Ø HILTI KB III WITH MIN. 3 1/2" EMBED, 4" SPACING, MIN. 5-1/2" EDGE DISTANCE IN CONCRETE.

SHIM 2" LG. W/(2) #12 FH TEKS SCREWS

(2) 5/8"Ø HILTI KB III WITH MIN. 3 1/2" EMBED, 4" SPACING, MIN. 5-1/2" EDGE DISTANCE IN CONCRETE.

L8"x4"x1/2" x7 1/8" LG. STEEL ANGLE

L8"x4"x1/2" x7 1/8" LG. STEEL ANGLE

VERTICAL MULLION HEAD & SILL ANCHORING DETAIL

12A / D7A SCALE: NTS

PREPARED BY:

BUILDING DROPS, INC.
 398 E. DANIA BEACH BLVD., STE. 338
 DANIA BEACH, FL 33004
 PH: (954)399-8478
 FAX: (954)744.4738
 WEB: www.buildingdrops.com

TITLE: SERIES CW200 CURTAINWALL (LMI)
 HORIZONTAL SECTION DETAILS
 325 WEST 74 PLACE,
 HIALEAH, FL 33014
 PH: (305)231-1101
 FAX: (305)231-1103


REMARKS	BY	DATE

THIS DOCUMENT IS THE PROPERTY OF BUILDING DROPS, INC. AND SHALL NOT BE REPRODUCED IN WHOLE OR PART WITHOUT WRITTEN CONSENT OF BUILDING DROPS, INC. ALTERATIONS, ADDITIONS, HIGHLIGHTING, OR OTHER MARKINGS TO THIS DOCUMENT ARE NOT PERMITTED AND INVALIDATE OUR CERTIFICATION.



DATE: 03.07.16
 DWG. BY: SM CHK. BY: HFN
 SCALE: NTS
 DWG. #: CGS122
 SHEET: OF 21

D7A

PREPARED BY:



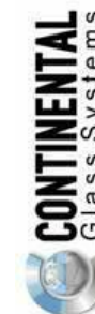
BUILDING DROPS, INC.

398 E. DANIA BEACH BLVD., STE. 338
 DANIA BEACH, FL 33004
 PH: (954)399-8478
 FAX: (954)744.4738
 WEB: www.buildingdrops.com

TITLE: SERIES CW200 CURTAINWALL (LMI)

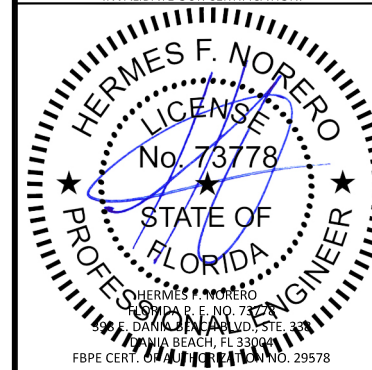
HORIZONTAL SECTION DETAILS

325 WEST 74 PLACE,
 HIALEAH, FL 33014
 PH: (305)231-1101
 FAX: (305)231-1103



REMARKS	BY	DATE

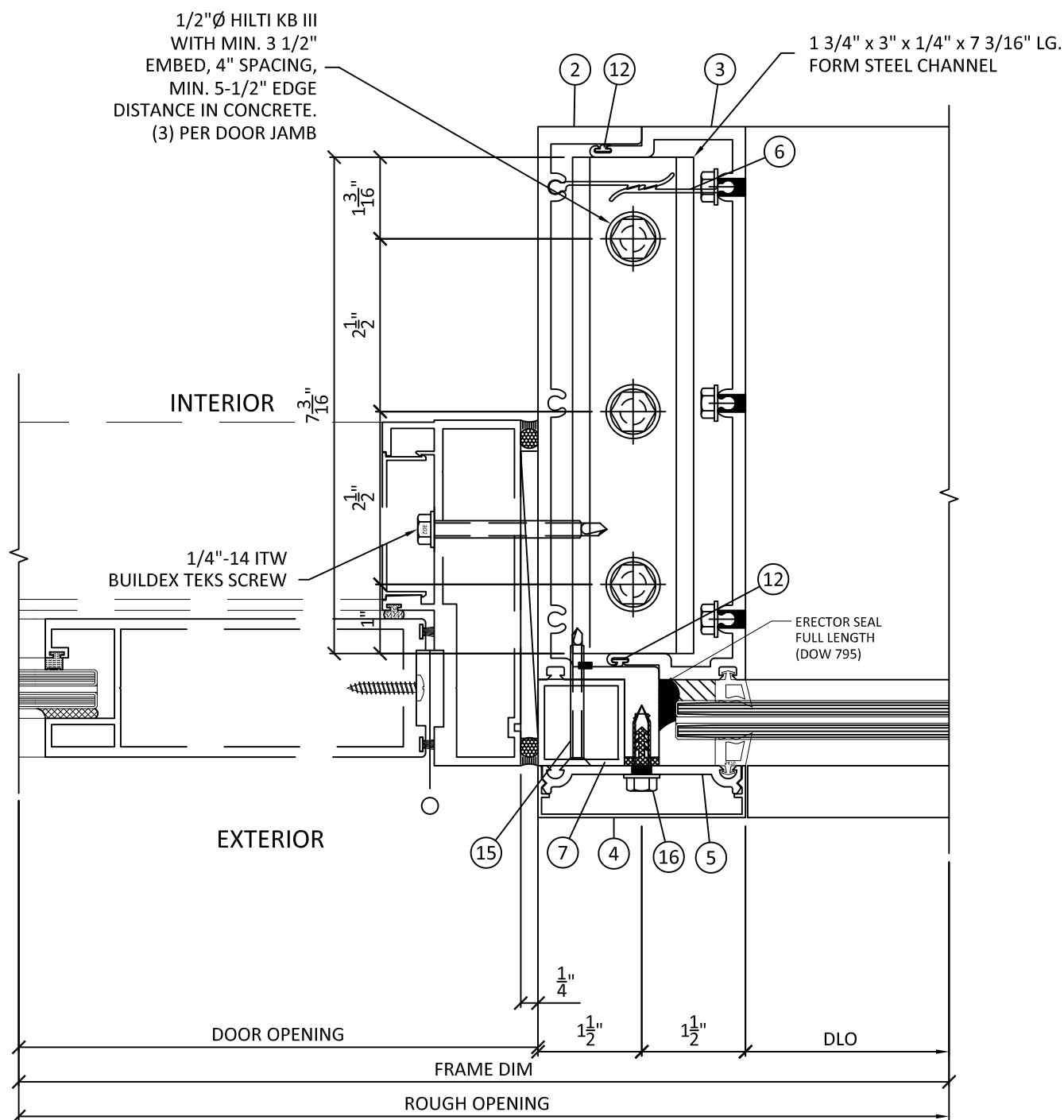
THIS DOCUMENT IS THE PROPERTY OF BUILDING DROPS, INC. AND SHALL NOT BE REPRODUCED IN WHOLE OR PART WITHOUT WRITTEN CONSENT OF BUILDING DROPS, INC. ALTERATIONS, ADDITIONS, HIGHLIGHTING, OR OTHER MARKINGS TO THIS DOCUMENT ARE NOT PERMITTED AND INVALIDATE OUR CERTIFICATION.



HERMES F. NORERO
 LICENSED PROFESSIONAL ENGINEER
 STATE OF FLORIDA
 No. 73778
 FBPE CERT. NO. 29578

DATE:	03.07.16
DWG. BY:	SM
CHK. BY:	HFN
SCALE:	NTS
DWG. #:	CGS122
SHEET:	OF 21

D8



VERTICAL MULLION
 SILL ANCHORING
 DETAIL

13A / D8A SCALE: NTS

NOTE:
 10000 SWING DOOR UNDER
 SEPARATE APPROVAL

PREPARED BY:



BUILDING DROPS, INC.

398 E. DANIA BEACH BLVD., STE. 338
 DANIA BEACH, FL 33004
 PH: (954)399-8478
 FAX: (954)744.4738
 WEB: www.buildingdrops.com

TITLE: SERIES CW200 CURTAINWALL (LMI)

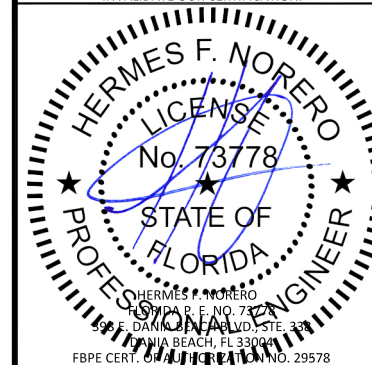
HORIZONTAL SECTION DETAILS

325 WEST 74 PLACE,
 HIALEAH, FL 33014
 PH: (305)231-1101
 FAX: (305)231-1103



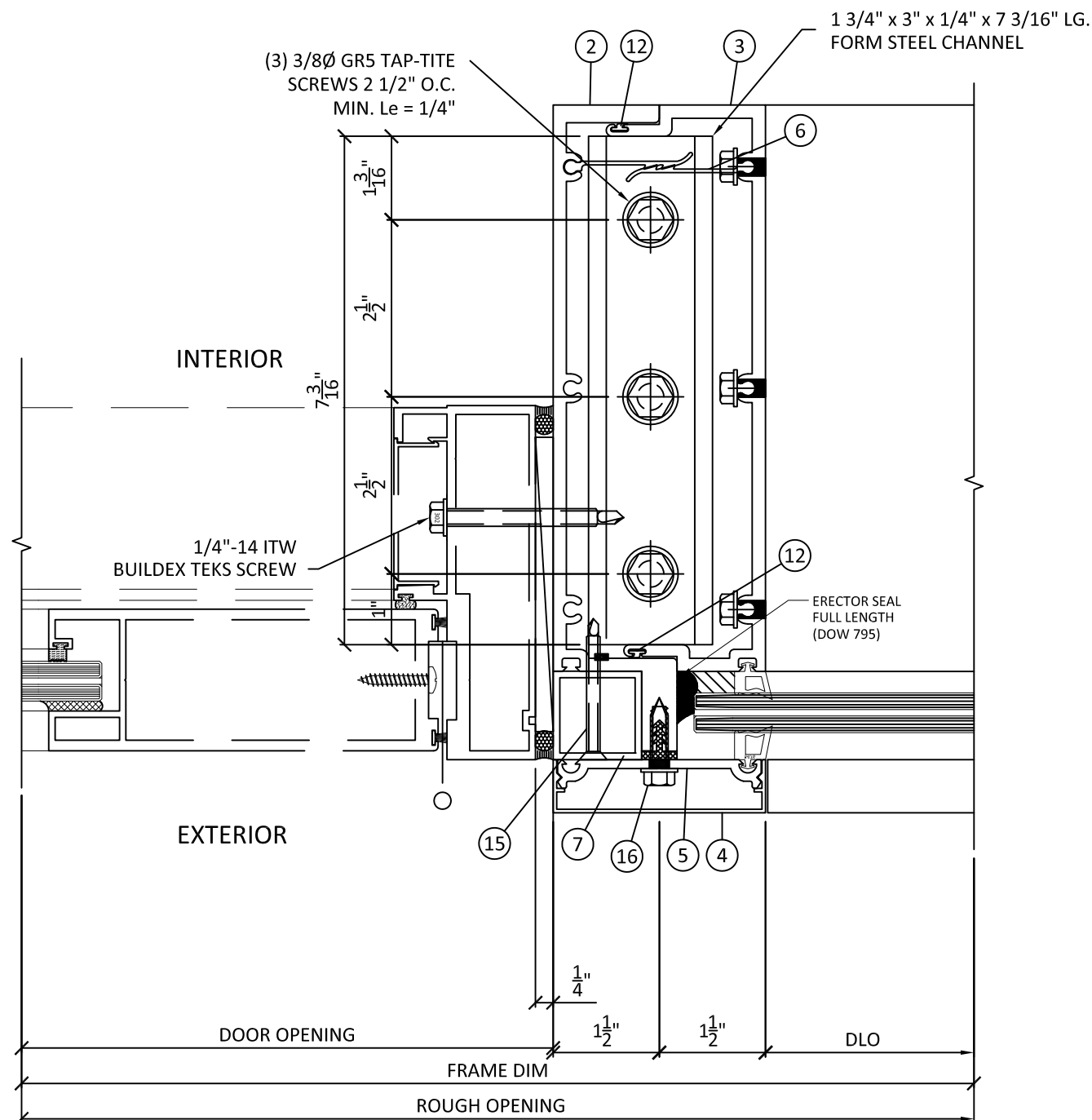
REMARKS	BY	DATE

THIS DOCUMENT IS THE PROPERTY OF BUILDING DROPS, INC. AND SHALL NOT BE REPRODUCED IN WHOLE OR PART WITHOUT WRITTEN CONSENT OF BUILDING DROPS, INC. ALTERATIONS, ADDITIONS, HIGHLIGHTING, OR OTHER MARKINGS TO THIS DOCUMENT ARE NOT PERMITTED AND INVALIDATE OUR CERTIFICATION.



DATE:	03.07.16	
DWG. BY:	SM	CHK. BY: HFN
SCALE:	NTS	
DWG. #:	CGS122	
SHEET:	OF 21	

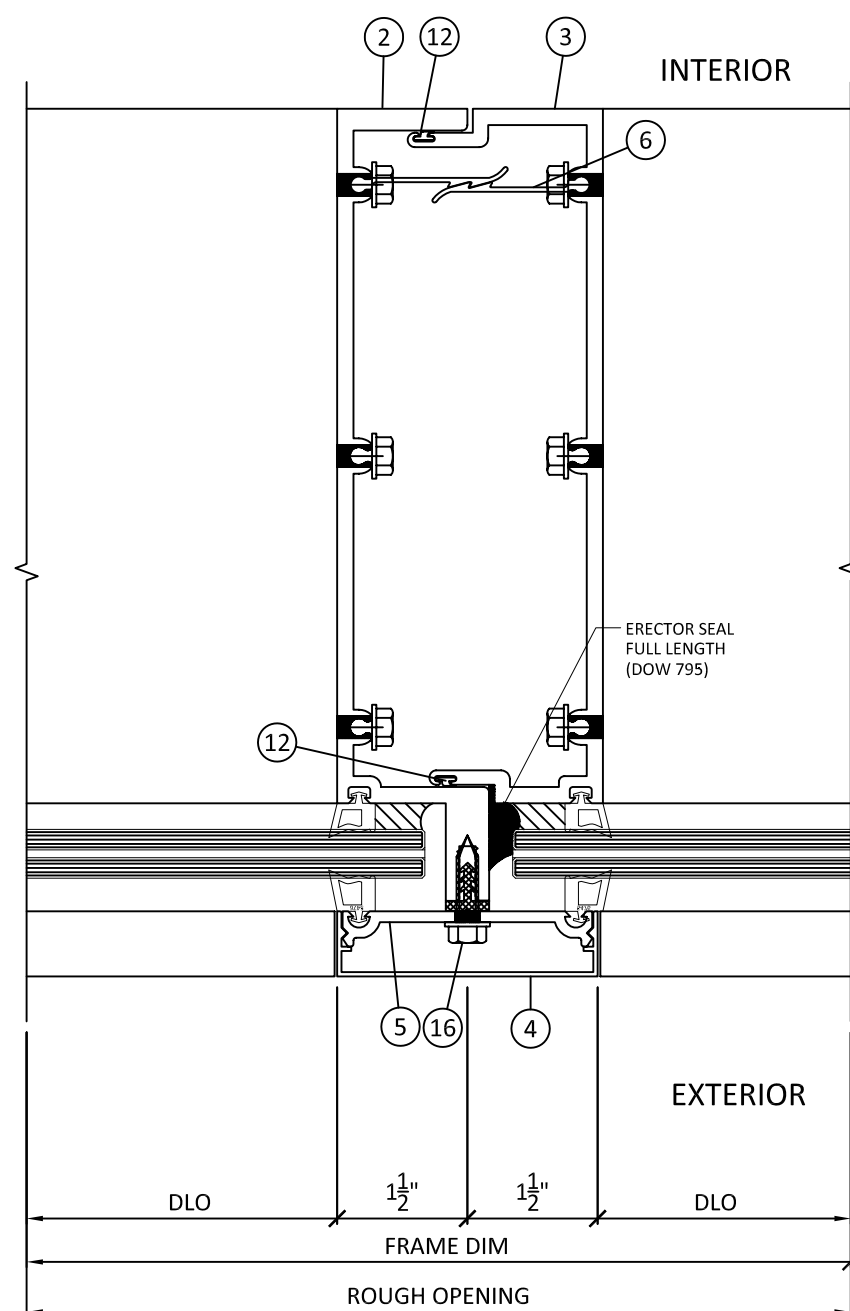
D8A



VERTICAL MULLION SILL ANCHORING DETAIL

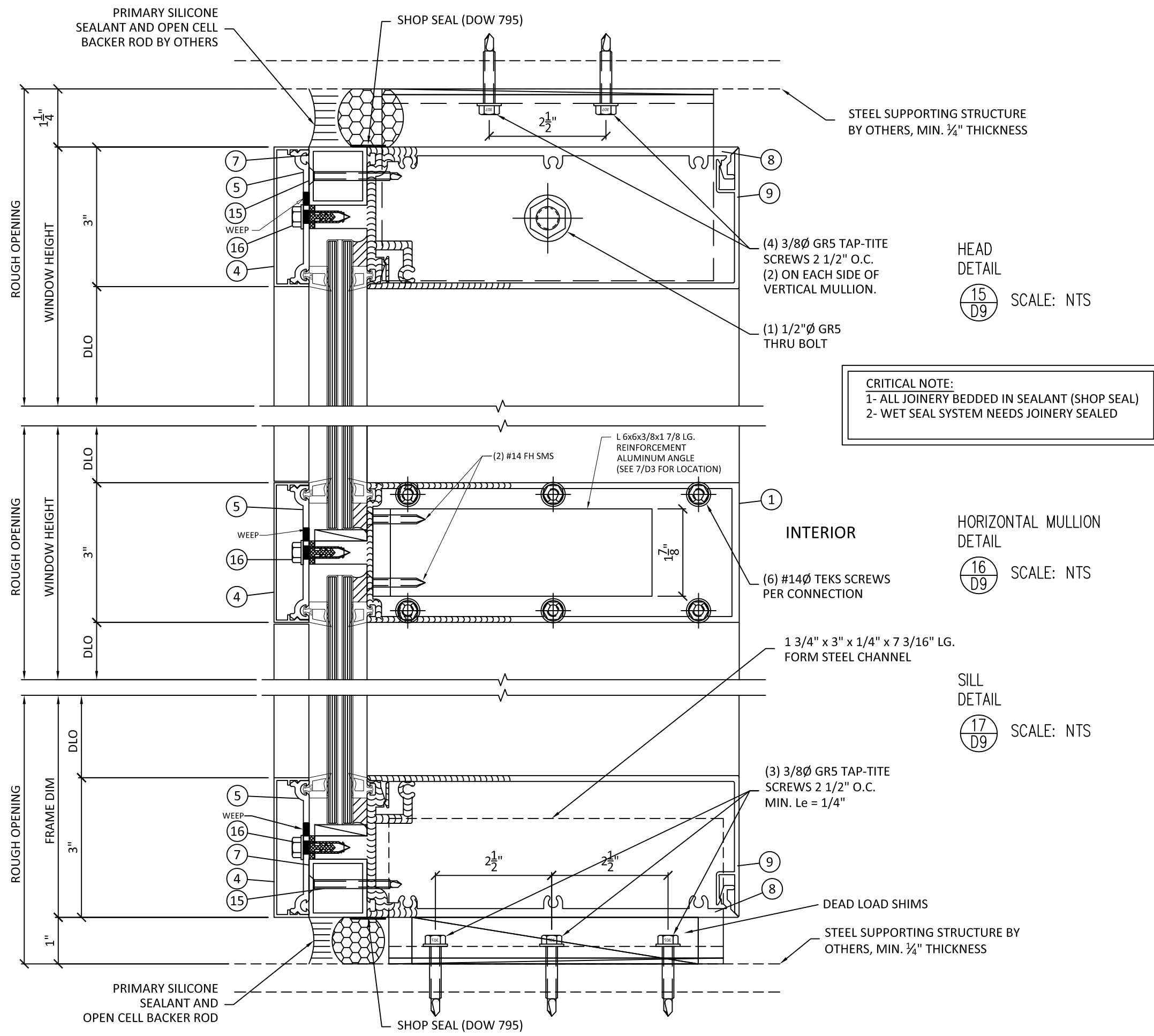
13 / D8 SCALE: NTS

NOTE:
 10000 SWING DOOR UNDER SEPARATE APPROVAL



VERTICAL MULLION DETAIL

14 / D8 SCALE: NTS



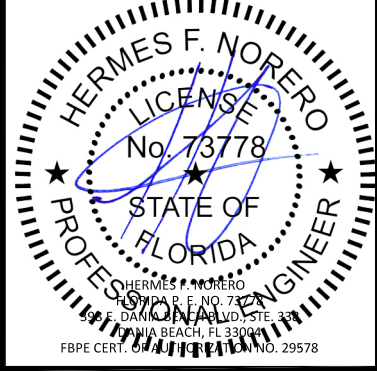
PREPARED BY:

BUILDING DROPS, INC.
 398 E. DANIA BEACH BLVD., STE. 338
 DANIA BEACH, FL 33004
 PH: (954)399-8478
 FAX: (954)744.4738
 WEB: www.buildingdrops.com

TITLE: **SERIES CW200 CURTAINWALL (LMI)**
VERTICAL SECTION DETAILS
 325 WEST 74 PLACE,
 HIALEAH, FL 33014
 PH: (305)231-1101
 FAX: (305)231-1103

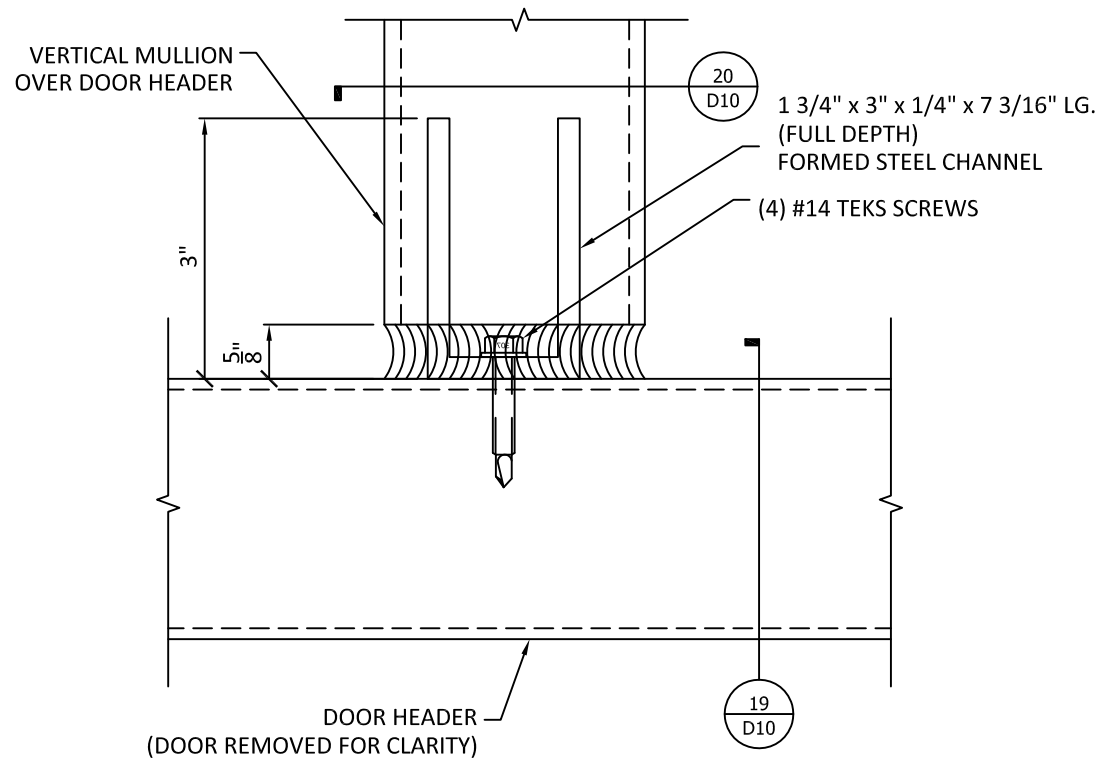

REMARKS	BY	DATE

THIS DOCUMENT IS THE PROPERTY OF BUILDING DROPS, INC. AND SHALL NOT BE REPRODUCED IN WHOLE OR PART WITHOUT WRITTEN CONSENT OF BUILDING DROPS, INC. ALTERATIONS, ADDITIONS, HIGHLIGHTING, OR OTHER MARKINGS TO THIS DOCUMENT ARE NOT PERMITTED AND INVALIDATE OUR CERTIFICATION.

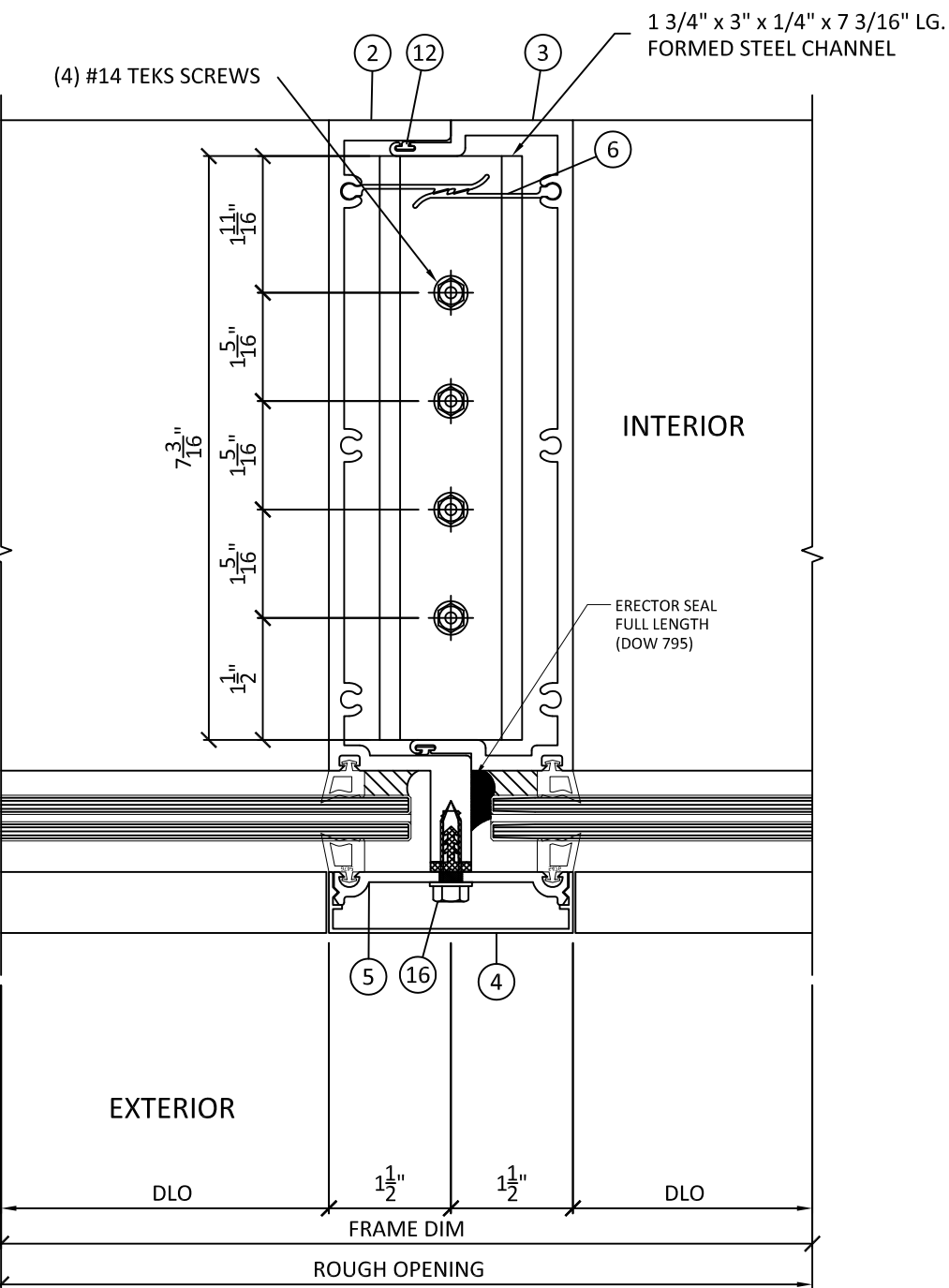
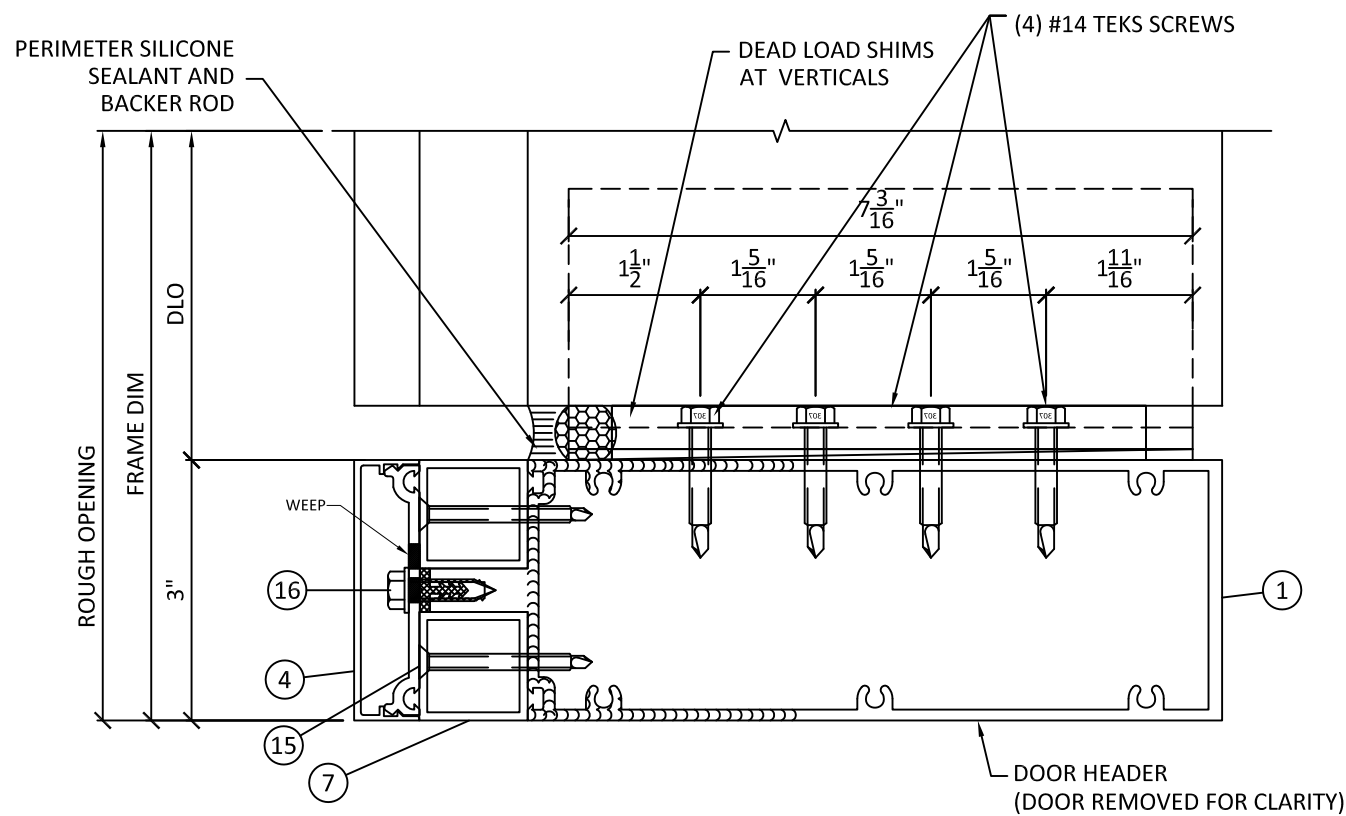


DATE: **03.07.16**
 DWG. BY: **SM** CHK. BY: **HFN**
 SCALE: **NTS**
 DWG. #: **CGS122**
 SHEET: OF 21

D9



SLIP CONNECTION
DETAIL
18
D10 SCALE: NTS



VERTICAL MULLION
DETAIL
20
D10 SCALE: NTS

SIDE VIEW
DETAIL
19
D10 SCALE: NTS

PREPARED BY:

BUILDING DROPS, INC.
 398 E. DANIA BEACH BLVD., STE. 338
 DANIA BEACH, FL 33004
 PH: (954)399-8478
 FAX: (954)744.4738
 WEB: www.buildingdrops.com

TITLE: SERIES CW200 CURTAINWALL (LMI)

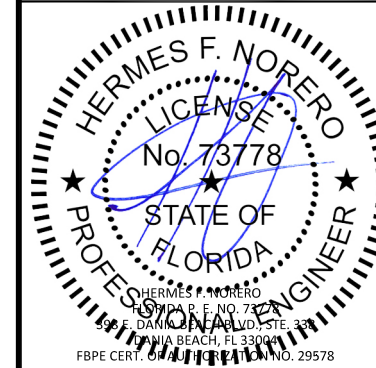
SLIP CONNECTION DETAILS

325 WEST 74 PLACE,
 HIALEAH, FL 33014
 PH: (305)231-1101
 FAX: (305)231-1103



REMARKS	BY	DATE

THIS DOCUMENT IS THE PROPERTY OF BUILDING DROPS, INC. AND SHALL NOT BE REPRODUCED IN WHOLE OR PART WITHOUT WRITTEN CONSENT OF BUILDING DROPS, INC. ALTERATIONS, ADDITIONS, HIGHLIGHTING, OR OTHER MARKINGS TO THIS DOCUMENT ARE NOT PERMITTED AND INVALIDATE OUR CERTIFICATION.



DATE: 03.07.16

DWG. BY: SM CHK. BY: HFN

SCALE: NTS

DWG. #: CGS122

SHEET: OF 21

D10

PREPARED BY:



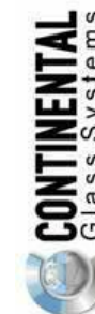
BUILDING DROPS, INC.

398 E. DANIA BEACH BLVD., STE. 338
 DANIA BEACH, FL 33004
 PH: (954)399-8478
 FAX: (954)744.4738
 WEB: www.buildingdrops.com

TITLE: SERIES CW200 CURTAINWALL (LMI)

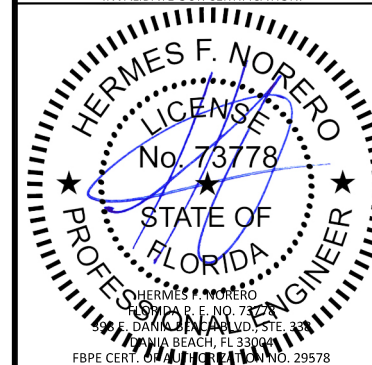
HORIZONTAL SECTION DETAILS

325 WEST 74 PLACE,
 HIALEAH, FL 33014
 PH: (305)231-1101
 FAX: (305)231-1103



REMARKS	BY	DATE

THIS DOCUMENT IS THE PROPERTY OF BUILDING DROPS, INC. AND SHALL NOT BE REPRODUCED IN WHOLE OR PART WITHOUT WRITTEN CONSENT OF BUILDING DROPS, INC. ALTERATIONS, ADDITIONS, HIGHLIGHTING, OR OTHER MARKINGS TO THIS DOCUMENT ARE NOT PERMITTED AND INVALIDATE OUR CERTIFICATION.



DATE: 03.07.16

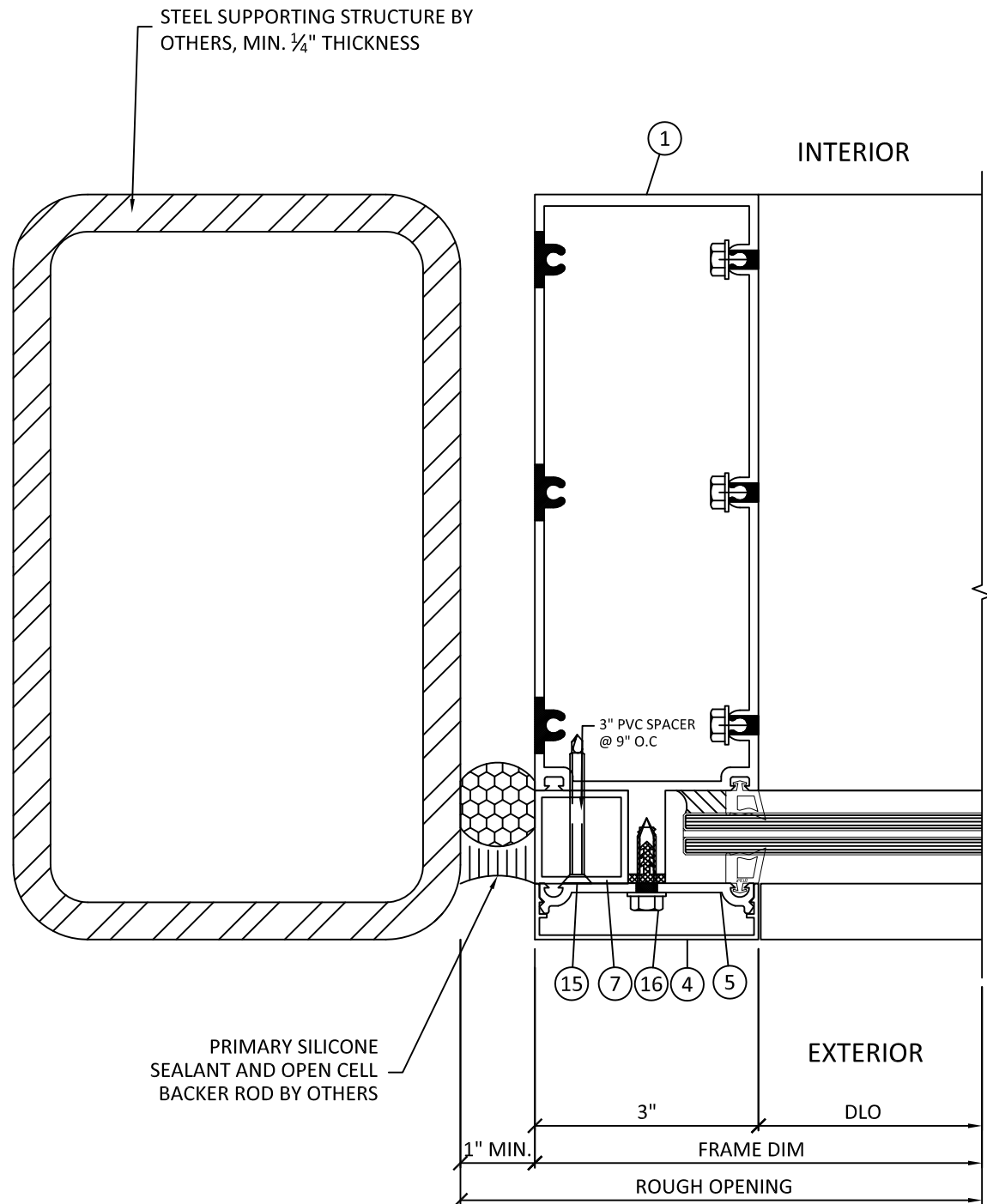
DWG. BY: SM CHK. BY: HFN

SCALE: NTS

DWG. #: CGS122

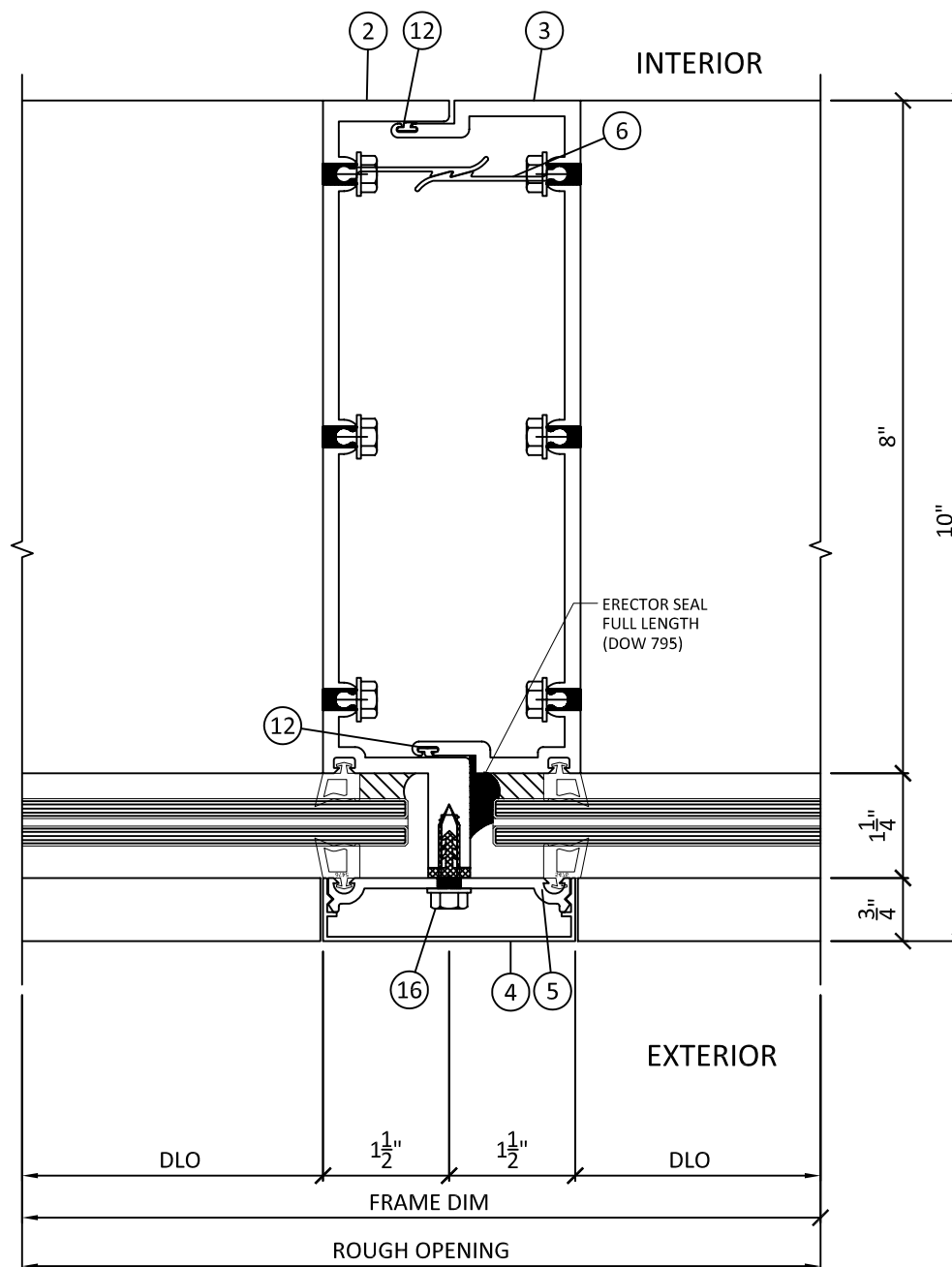
SHEET: OF 21

D11



JAMB
 DETAIL

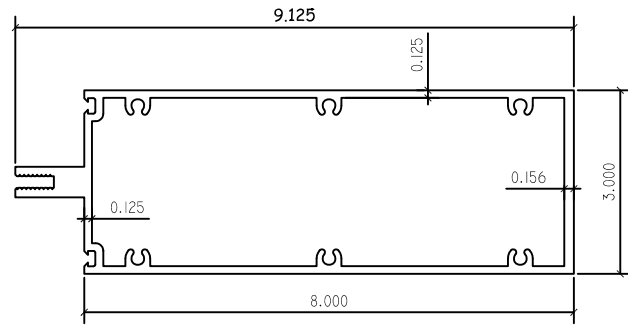
21 / D11 SCALE: NTS



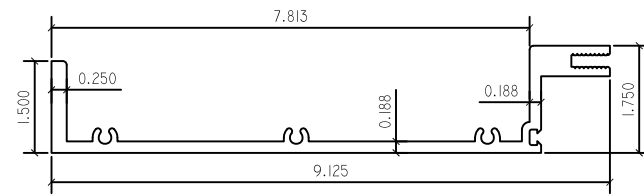
VERTICAL MULLION
 DETAIL

22 / D11 SCALE: NTS

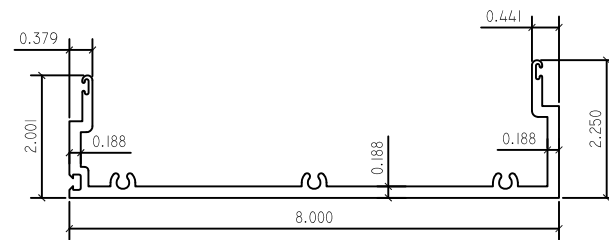
1 2031 - JAMB & HORIZONTAL



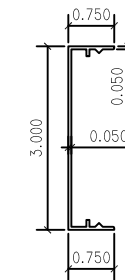
2 2027 - VERTICAL MULLION (LEFT)



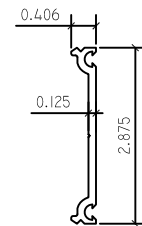
3 2029 - VERTICAL MULLION (RIGHT)



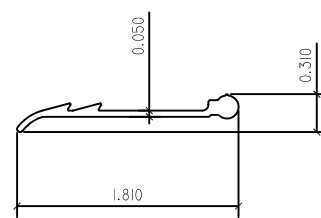
4 2021 - COVER



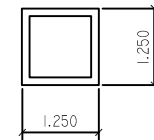
5 2023 - PRESSURE PLATE



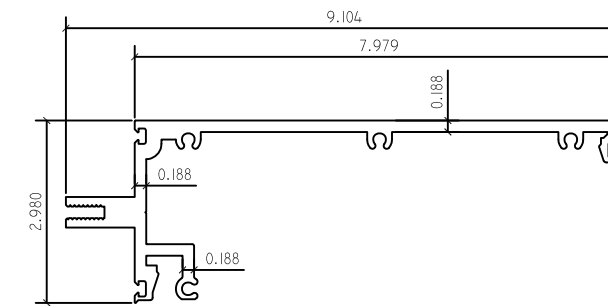
6 ANTI-BUCKLING CLIP



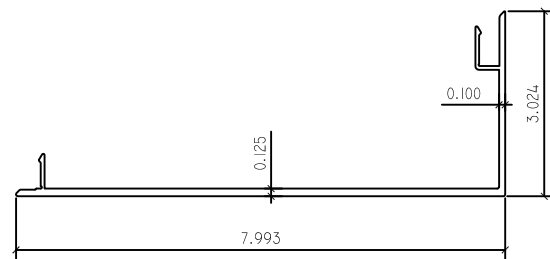
7 SPACER



8 HEAD & SILL HORIZONTAL



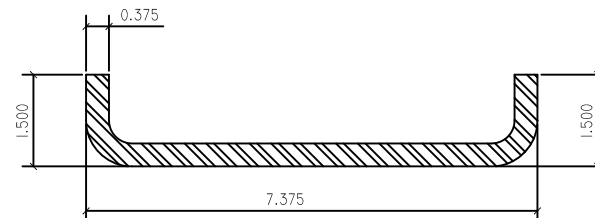
9 HEAD & SILL HORIZONTAL COVER



10 1/2" STEEL - 168" CENTERED ON SPAN



11 3/8" STEEL - 168" CENTERED ON SPAN



BILL OF MATERIALS				
ITEM #	PART NUMBER	PART NAME	ALLOY & TEMPERED	REMARKS
1	2031	JAMB & HORIZONTAL	6063-T6	
2	2027	VERTICAL MULLION (LEFT)	6063-T6	
3	2029	VERTICAL MULLION (RIGHT)	6063-T6	
4	2021	COVER	6063-T6	
5	2023	PRESSURE PLATE	6063-T5	
6	1719	ANTI-BUCKLING CLIP	6063-T6	4" LONG AT 18" O.C.
7		SPACER - 1 1/4x1 1/4 ALUM. TUBE	6063-T52	
8		HEAD & SILL FRAME	6005-T61	
9		HEAD & SILL FRAME COVER	6063-T6	
10		1/2" STEEL BAR		
11		3/8" FORMED STEEL CHANNEL		
12	3998	WEATHER STRIP		
13		5/16" SILICONE GASKET		
14		3/8" SILICONE GASKET		
15		#10 F.H. TEKS SCREWS @ 18" O.C.		
16		#14x1" HWH SMS SS UNSLOTTED @ 9" O/C		

PREPARED BY:



BUILDING DROPS, INC.

398 E. DANIA BEACH BLVD., STE. 338
DANIA BEACH, FL 33004
PH: (954)399-8478
FAX: (954)744.4738
WEB: www.buildingdrops.com

TITLE: SERIES CW200 CURTAINWALL (LMI)

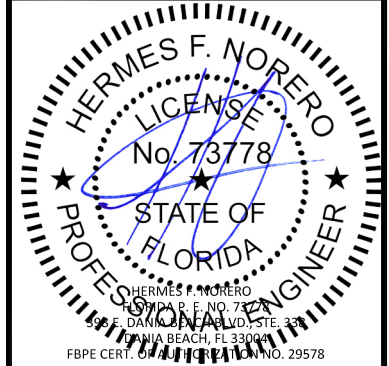
COMPONENTS AND BOM

325 WEST 74 PLACE,
HIALEAH, FL 33014
PH: (305)231-1101
FAX: (305)231-1103



REMARKS	BY	DATE

THIS DOCUMENT IS THE PROPERTY OF BUILDING DROPS, INC. AND SHALL NOT BE REPRODUCED IN WHOLE OR PART WITHOUT WRITTEN CONSENT OF BUILDING DROPS, INC. ALTERATIONS, ADDITIONS, HIGHLIGHTING, OR OTHER MARKINGS TO THIS DOCUMENT ARE NOT PERMITTED AND INVALIDATE OUR CERTIFICATION.



DATE: 03.07.16

DWG. BY: SM CHK. BY: HFN

SCALE: NTS

DWG. #: CGS122

SHEET: OF 21

L1